

Split-Core DC Current Hall Effect Sensor For Cable Round Window for Cable

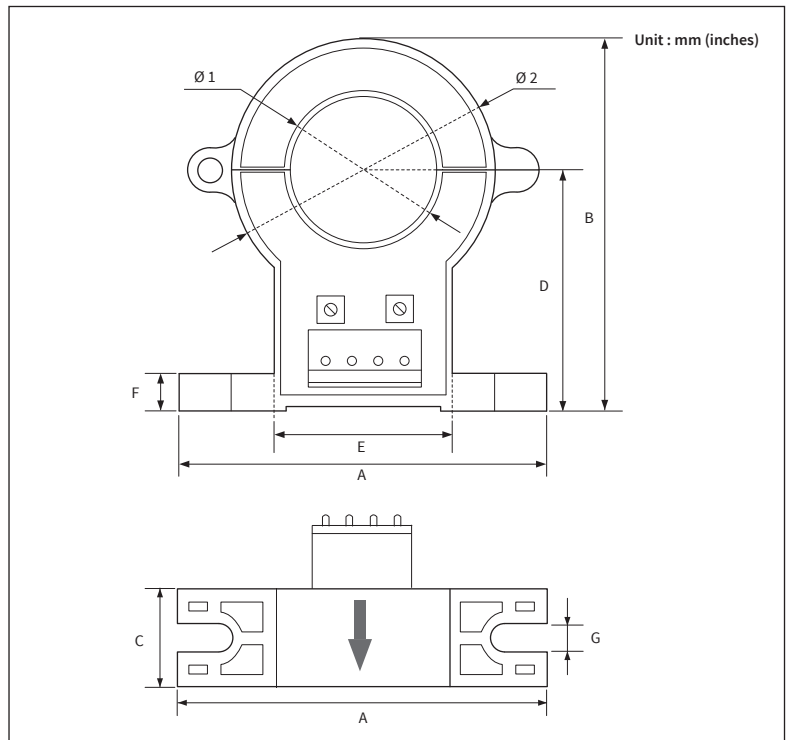
Accuenergy's HAK Split-core current hall effect sensor measures DC current up to 200A with 21mm diameter window and 1000A with 40mm diameter window. The output signal is optional at either 4-20mA or 0-5V. The split-core sensors are ideal for retro-fit installation on existing electrical wiring without any disconnection.



SPECIFICATIONS

Rated input	50A, 100A, 200A, 400A, 600A, 1000A
Rated Output	4-20mA or 0-5V
Accuracy	0.5%
Bidirectional current input is optional	
Power Supply	+/-15V(AcuDC 240 series multifunction DC Meter provides power supply from module directly without separate sourcing of power)
Two Opening Size	21mm and 40mm

DIMENSIONS



P/N	Dimensions (inch/mm)								
	A	B	C	D	E	F	G	Ø1	Ø2
HAK21	2.36/60	2.40/61	0.63/16	1.57/40	1.18/30	0.30/7.5	0.20/5	0.83/21	1.65/42
HAK41	3.94/100	3.94/100	0.94/24	2.56/65	1.93/49	0.39/10	0.24/6	1.57/40	2.80/71

ORDERING INFORMATION

	Model	Current Input Ratin	Output Option
Ordering Number	-		
Ordering Example	HAK21	- 100	- A2
	HAK21: 21mm window diameter	50: 50A 100: 100A 200: 200A	A2: 4-20mA A3: 0-5V
	HAK40: 40mm window diameter	400: 400A 600: 600A 1000: 1000A	