

KINAX 3W2

Transmitter for angular position

For installation

KINAX 3W2 is a compact transmitter for angular position for installation in devices and apparatus. Due to its unique capacitive measuring principle, it acquires the angular position of a shaft without contact and virtually reactionless, and converts the same into an impressed direct current proportional to the measured value.

The easy assembly via synchronous flange or flange adapter and the variety of connection options offers the highest degree of quality and flexibility in application and installation.



Your customer benefit

LOW LIFE-CYCLE COSTS DUE TO:

TESTED TOP QUALITY

- Capacitive Measuring principle
- Suitable for ocean-going vessels acc. GL
- Explosion protection acc. ATEX and IECEx intrinsic safety "ia" (gas)

SAFE, FREE OF MAINTENANCE

- 0/4...20 mA analog output signal with 2-, 3- or 4-wire connection
- Drive shaft without stops, rotating
- Low starting torque
- High immunity against magnetic fields

EASY AND FAST COMMISSIONING

- No wear, low annual maintenance
- Defined angle value

Technical data

General

Measured quantity: Angle of rotation
 Measuring principle: Capacitive method

Measuring input

Angle measuring range: $0... \geq 5^\circ$ to $0... \leq 270^\circ$
 Preferred ranges
 $0...10^\circ$, $0...30^\circ$, $0...60^\circ$, $0...90^\circ$,
 $0...180^\circ$ or $0...270^\circ$

Drive shaft diameter: $\varnothing 2$ mm [0.078"], $\varnothing 6$ mm [0.236"], 1/4"

Starting torque:
 max. 0.001 Nm [0.141 in-oz] with shaft $\varnothing 2$ mm [0.078"]
 max. 0.03 Nm [4.248 in-oz] with shaft $\varnothing 6$ mm [0.236"] resp. 1/4"

Sense of rotation: selectable when ordering

Measuring output

Output variable I_A : Load-independent DC current, proportional to the input angle

Zero point variation: approx. $\pm 5\%$

Final value variation: approx. $+ 5\% / -30\%$ (see criterion of choice 9)

Current limitation: I_A max. 40 mA

Standard range:

0...1 mA, 3- or 4-wire connection
 0...5 mA, 3- or 4-wire connection
 0...10 mA, 3- or 4-wire connection
 4...20 mA, 2-wire connection or
 0...20 mA, 3- or 4-wire connection (adjustable with potentiometer)
 4...20 mA, 3- or 4-wire connection

Non standard:

0... >1 mA to 0... <20 mA,
 3- or 4-wire connection

Power supply:

Standard (Non-Ex):
 input voltage U_i : 12...33 V

Explosion protection intrinsic ia:

input voltage U_i : 12 ... 30 V
 max. input current I_i : 160 mA
 max. input power P_i : 1 W
 max. internal capacitance C_i : 10 nF
 max. internal inductance L_i : is negligible

Residual ripple in output current:

< 0.3 % p.p.

Response time:

< 3.5 ms

External resistance: (load)

$$R_{\text{ext max.}} [\text{k}\Omega] = \frac{H [\text{V}] - 12 \text{ V}}{I_A [\text{mA}]}$$

H = Power supply

I_A = Output signal end value

KINAX 3W2

Transmitter for angular position

Accuracy data

Basic accuracy:	≤ 0.5 % for ranges 0...≤ 150° ≤ 1.5 % for ranges from 0...> 150° to 0...270°
Reproducibility:	< 0.2 %
Influence of temperature output current (-40 ... +70 °C): [-40 ... +158 °F]	± 0.2 % / 10 K

Installation data

Housing:	Aluminium, surface alodine 400
Mounting position:	Any
Connections:	Soldering terminals or Wiring print with pads Wiring print with screw terminals Wiring print with AMP-connections Wiring print with trans-zorb-diode Protection class IP 00 acc. to IEC 60 529

Admissible static loading of shaft:

Direction	Drive shaft Ø	
	2 mm	6 mm resp. 1/4"
radial max.	16 N	83 N
axial max.	25 N	130 N

Bearing play influence Weight: ± 0.1 %
Approx. 0.1 kg

Regulations

Spurious radiation:	EN 61000-6-3
Immunity:	EN 61000-6-2
Test voltage:	500 V DC, 50 Hz, 1 min. All connections against housing
Admissible common-mode voltage:	100 V, 50 Hz
Impulse voltage withstand:	1 kV, 1.2/50 µs, 0.5 Ws, CAT II
Housing protection:	IP 50 acc. to EN 60 529

Environmental conditions

Climatic rating:	<u>Standard (NEx):</u> Temperature -25 ... +70 °C [-13 ... +158°F] Rel. humidity ≤ 90 % non-condensing
	<u>Version with improved climatic rating</u> Temperature -40 to +70 °C [-40...158 °F] Annual mean relative humidity ≤ 95%
	<u>Ex version</u> - 40 to + 55 °C [-40 ... +131 °F] at T6 resp. - 40 to + 70°C [-40...+158 °F] at T5 resp. - 40 to + 75°C [-40...+167 °F] at T4

Permissible vibration: (without addit. gear):	0...200 Hz, 5 g per 2h in 3 directions
Shock:	3 x 50 g every 10 impulses in all directions

Transportation and storage temperature: -40 ... +80 °C [-40 ... +176 °F]

Operation in potentially explosive environments

Gas explosion prevention:	Labeling:	Ex ia IIC T6 Gb
	Conform to standard:	ATEX: EN 60079-0:2012 EN 60079-11:2012 IECEX: IEC 60079-0:2011 IEC 60079-11:2011-06
	Type of protection:	ia
	Temperature class:	T6, T5, T4
	Group according to EN 60079-00:2012:	II

Dimensional drawing

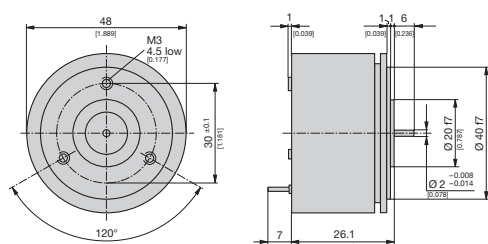


Fig. 1. KINAX 3W2 with standard drive shaft at front only, Ø 2 mm [0.078"], length 6 mm [0.236"].

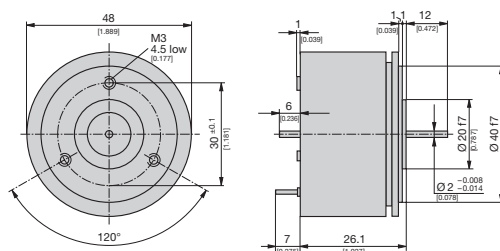


Fig. 2. KINAX 3W2 with special drive shaft at front and at rear. At front: Ø 2 mm [0.078"], length 12 mm [0.472"]. At rear: Ø 2 mm [0.078"], length 6 mm [0.236"].

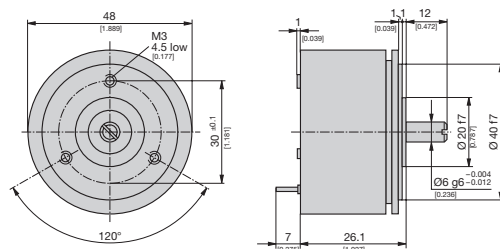


Fig. 3. KINAX 3W2 with special drive shaft at front only, Ø 6 mm [0.236"], length 12 mm [0.472"].

KINAX 3W2

Transmitter for angular position

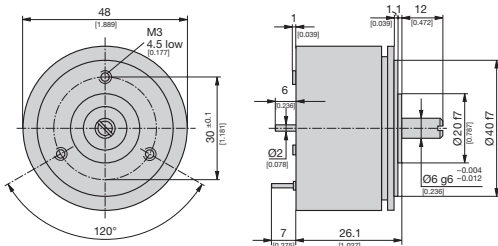


Fig. 4. KINAX 3W2 with special drive shaft at front and at rear. At front: \varnothing 6 mm [0.236"], length 12 mm [0.472"]. At rear: \varnothing 2 mm [0.078"], length 6 mm [0.236"].

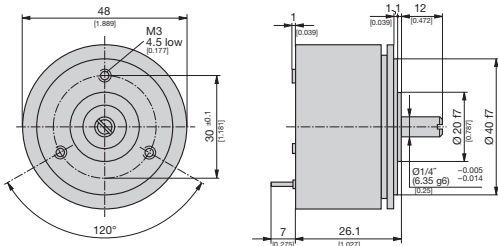


Fig. 5. KINAX 3W2 with special drive shaft at front only, \varnothing 1/4", length 12 mm [0.472"].

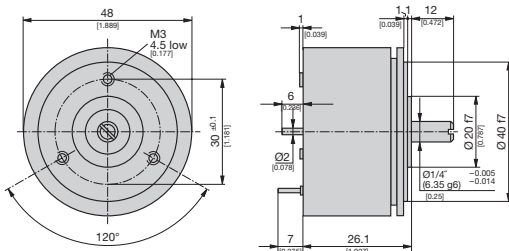


Fig. 6. KINAX 3W2 with special drive shaft at front and at rear. At front: \varnothing 1/4", length 12 mm [0.472"]. At rear: \varnothing 2 mm [0.078"], length 6 mm [0.236"].

Montage

All versions of the transmitter can be mounted either directly or by means of 3 mounting clips to the item being measured. The screws are not supplied, because the required length varies according to the thickness of the mounting surface. Both methods of mounting and the relevant drilling and cut-out plans can be seen from table:

	Mounting versions ²	Drilling and cut-out diagrams for mounting transmitters)
directly		
with 3 clamps		

Electrical connections

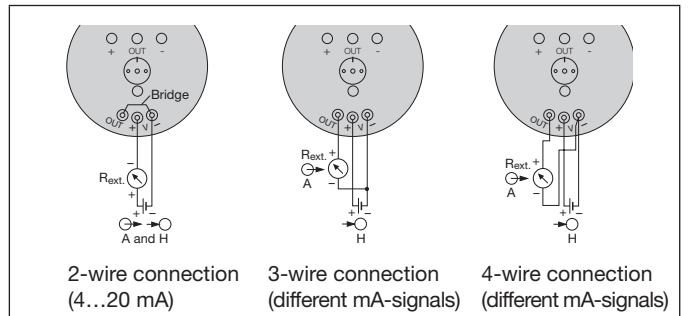


Fig 7. Electrical connection via soldering terminals

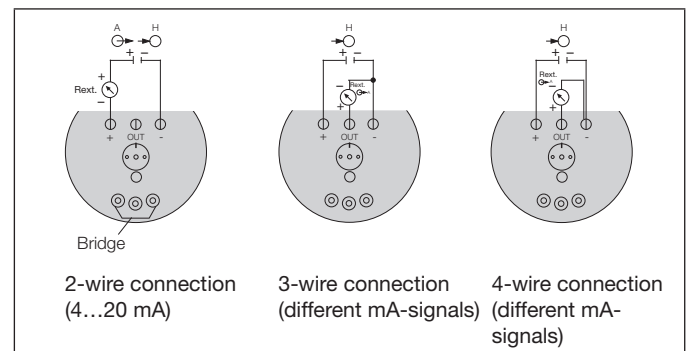


Fig 8. Electrical connection via pads. Only for NEX version.

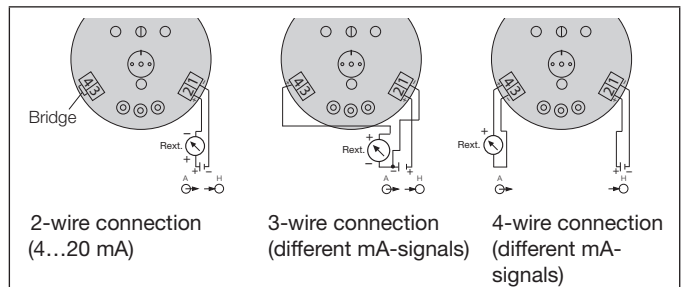


Fig 9. Electrical connection via screw terminals. Only for NEX and ATEX version.

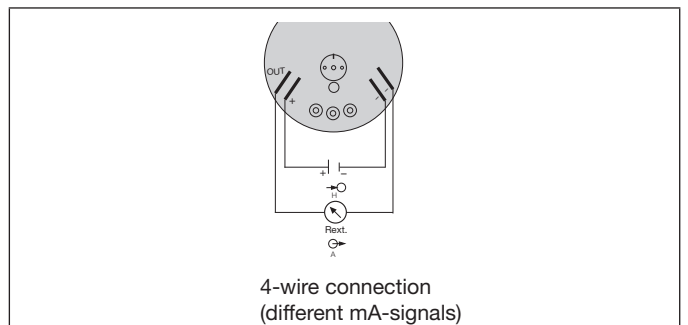


Fig 10. Electrical connection via AMP-connections. Only for NEX version.

KINAX 3W2

Transmitter for angular position

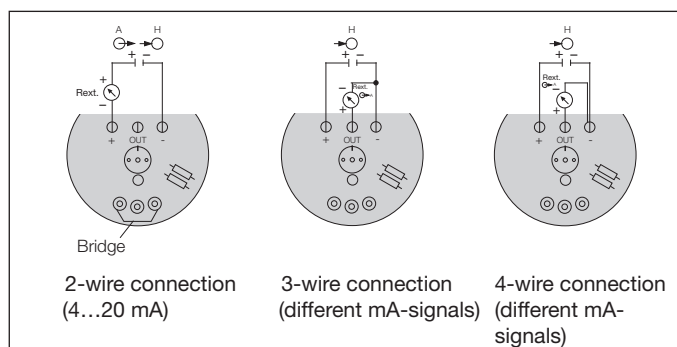


Fig 11. Electrical connection via trans-zorb-diode. Only for NEX version.

Table 2: Specification and ordering information

Features, Selection	*Blocking code	no-go with blocking code	Article No./ Feature
KINAX 3W2	Order Code 708 - xxxx xxxx xxxx		708 -
Features, Selection			
1. Version of the transmitter (with standard shaft dia. 2 mm, at front only , length 6 mm*)			
Standard, measuring output non intrinsically safe	A		1
Version ATEX II 2 G Ex ia IIC T6 Gb, measuring output intrinsically safe	B		2
Version IECEx Ex ia IIC T6 Gb	C		A
2. Sense of rotation			
Calibrated for sense of rotation clockwise	D		1
Calibrated for sense of rotation counterclockwise	D		2
For "V" characteristic	E		3
Both senses of rotation, calibrated and marked (for measuring ranges $\leq 90^\circ$ only)	M		4
Lines 1 and 2: Angle $\leq 150^\circ$ usable in both senses of rotation. Angle $> 150^\circ$ to $\leq 270^\circ$ switchable to the other direction.			
3. Measuring range (measuring input) \rightarrow			
0 ... 10°		E	1
0 ... 30°		E	2
0 ... 60°		E	3
0 ... 90°		E	4
0 ... 180°		EM	5
0 ... 270°		EM	6
Non-standard 0 ... $\geq 5^\circ$ to 0 ... $< 270^\circ$ [°] 		E	9
With both senses of rotation calibrated, non-standard range, 0 to ≥ 5 till 0 to $< 90^\circ$			

KINAX 3W2

Transmitter for angular position

Features, Selection	*Blocking code	no-go with blocking code	Article No./ Feature
KINAX 3W2 Order Code 708 - xxxx xxxx xxxx			708 –
Features, Selection			
<p>“V” characteristic [± °] <input type="text"/></p> <p>Specify start M_A and end M_E of measuring range! Observe the limits for (M_A [± °] ≥ 10 and M_E [± °] ≤ 150) and give both angles separated by an oblique stroke, e.g. [± °] 15/90!</p> <p>Example of a “V” characteristic for the measuring range [± °] 15/90 and an output range of 0...20 mA</p>		DM	A
4. Output signal (measuring output) / Connecting version			
Power supply (12 ... 33 V DC resp. 12 ... 30 V DC with Ex version)			
0 ... 1 mA / 3- or 4-wire connection			A
0 ... 5 mA / 3- or 4-wire connection			B
0 ... 10 mA / 3- or 4-wire connection			C
4 ... 20 mA / 2-wire connection or 0 ... 20 mA / 3- or 4-wire connection (adjustable with potentiometer)			D
4 ... 20 mA / 3- or 4-wire connection			E
Non-standard, 3- or 4-wire connection			
0 ... > 1.00 mA to 0 ... < 20 mA [mA] <input type="text"/>			Z
R_{ext} max. see section “Technical data”, output signal			
5. Special features			
Without (order code complete)	Y		0
With special feature The features to be omitted must be marked hereafter with / (slant line) in the order code until reaching the required feature!			1
6. Adjustability (span adjustment)			
Without			0
Increased adjustability + 5 % / – 60 % Restriction: for angle ≥ 60°, additional error 0.2 %		Y	A
7. Drive shaft special			
Standard			0
Dia. 2 mm at front, length 12 mm, dia. 2 mm rear, length 6 mm		Y	C
Dia. 6 mm at front, length 12 mm		Y	D
Dia. 6 mm at front, length 12 mm, dia. 2 mm rear, length 6 mm		Y	E
Dia. 1/4 " at front, length 12 mm		Y	F
Dia. 1/4 " at front, length 12 mm, dia. 2 mm rear, length 6 mm		Y	G

KINAX 3W2



Transmitter for angular position

Features, Selection	*Blocking code	no-go with blocking code	Article No./ Feature
KINAX 3W2 Order Code 708 - xxxx xxxx xxxx			708 -
Features, Selection			
8. Improved climatic rating			
Without improved climatic rating			0
Improved climatic rating (standard version)		BCY	H
Improved climatic rating (Ex/Ex i version)		AY	J
9. Marine version			
Without version GL ("Germanischer Lloyd")			0
Version GL ("Germanischer Lloyd")		Y	L
10. Wiring print			
Standard			0
Wiring print with pads, only for NEX		BC	1
Wiring print with screw terminals, only for NEX and ATEX		C	2
Wiring print with AMP-connections, only for NEX		BC	3
Wiring print with trans-zorb-diode, only for NEX		BC	4
11. Test protocole			
Without			0
German			D
English			E




* Lines with letter(s) under «no-go» cannot be combined with preceding lines having the same letter under «Blocking code».

Accessories

Description	Order No.
Kit mounting clamp for 2W2 and 3W2	168 387
Different bellow couplings	xxx xxx
Different helical and cross-slotted coupling	xxx xxx
Different spring washer coupling	xxx xxx

You find power supply units for KINAX 3W2 in our process instrumentation product range.	
SINEAX B812 1-channel power supply unit	SINEAX B811 1-channel power supply unit
	

Approvals

Approval	Identification
 Explosion protection according to IECEX	Ex ia IIC T6 Gb
 Explosion protection according to ATEX	Ex II 2G Ex ia IIC T6 Gb
 Germanischer Lloyd	D, H, EMC1

 **CAMILLE BAUER**

Scope of delivery

- 1 Transmitter for angular position KINAX 3W2 (according to Order)
- 1 3 clamps
- 1 Operating instructions in German, French, English
- 1 Type examination certificate, only with ATEX-approval