

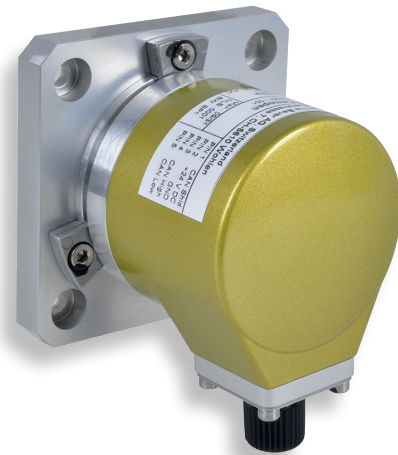
KINAX N702-CANopen

Absolute inclination transmitter

For robust industrial applications

The KINAX N702-CANopen is a robust absolute inclination transmitter. Thanks to its high mechanical strength and the compact design it is particularly suitable for use in industrial applications. It detects tilt and angular positions and provides them via CANopen.

The very simple assembly by the synchro flange or mounting plate, the sensor connection via M12x1/5 poles, the free on-site parameterization and the digital CANopen-Businterface offers maximum installation flexibility.



Your benefits

TOP QUALITY TESTED

- Compact industrial housing
- Splash and dust proof housing IP66
- Contact arm measuring principle
- Digital CANopen Businterface

ACCURATE, SAFE, MAINTENANCE FREE

- High degree of absolute measuring accuracy ($\pm 0.2^\circ$)
- Resistant against high mechanical strains thanks to robust design and high quality materials
- Secure electrical connection through sensor connector M12x1

SIMPLE AND QUICK COMMISSIONING

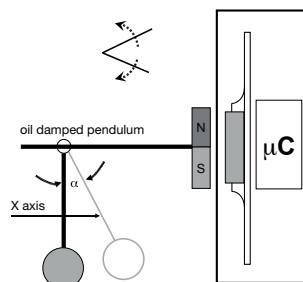
- Standard synchro flange or mounting plate
- No shaft adaptation necessary
- 3-wire connection with sensor connector M12x1 / 5 poles
- Auto-configuration of the network
- Free parameterization over CANopen interface

Technical data

General

Measured quantity: Tilt angle

Measuring principle: Magnetic, one-dimensional inclination transmitter with hall sensor and oil-damped pendulum system, hermetically sealed, contact free, freely rotatable without stops



Pendulum damping: by oil filling

Measuring input

Measuring range: $-180^\circ \dots 179.9^\circ$ free programmable

Inclination angle: Set to $-180,0^\circ \dots +179,9^\circ$

Sense of rotation: Adjustable for rotation clockwise or counter-clockwise

Measuring output

Power supply: 9 ... 36 VDC
protection against wrong polarity

Output signal: CAN-Bus Interface

Protocol: CANopen

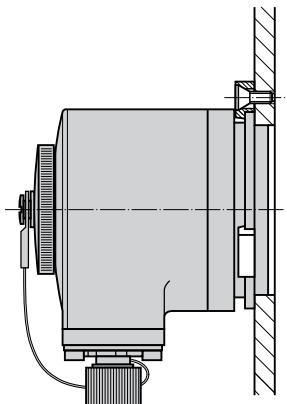
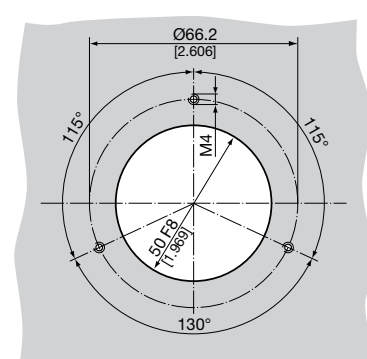
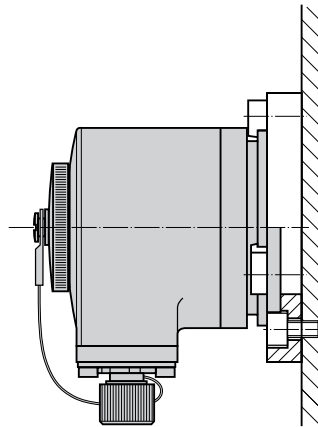
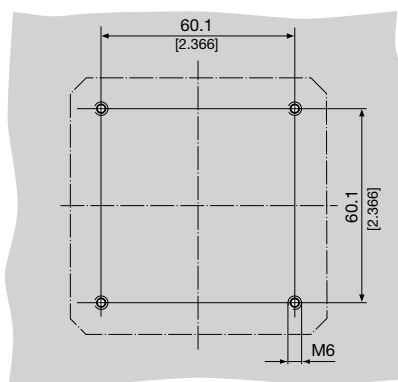
CANopen Draftstandards: DS 401 Device-Profile inclinometers
DS 301 Application-Layer and communication profile

Current consumption: < 100 mA

KINAX N702-CANopen Absolute inclination transmitter

Mounting

All inclination transmitter can be mounted either directly with 3 clamping brackets to the item being measured or with a mounting plate with 4 cheese head screws M6. Please take care that the installation position of the inclination transmitter is perpendicular to the gravity of the earth. The inclination transmitter are supplied standard with mounting plate but without cheese head screws M6.

Mounting versions		Drilling and cut-out diagrams (for mounting transmitters)
directly with clamps		
with mounting plate		

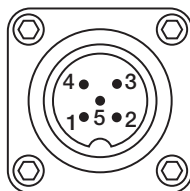
Electric connections

To connect the electrical lines, the inclination transmitter has a sensor connector M12x1 / 5 poles.

PIN configuration

Pin assignments:

- 1 = CAN Shld
- 2 = + 24 V DC
- 3 = GND
- 4 = CAN High
- 5 = CAN Low



KINAX N702-CANopen

Absolute inclination transmitter

Programming

A parameterization is performed by means of the CANopen interface. All parameters are stored in the object directory.

Ordering information of variants

Description	Article No.
KINAX N702-CANopen	157 554

Scope of delivery

- 1 Inclination transmitter KINAX N702-CANopen (157 554)
- 1 Mounting plate with 3 clamps (168 379, 168 353)
- 1 Connector M12x1, 5 poles (168 105)
- 1 Operating instructions German, English, French (157 637)

Accessories

Description	Article no.
Connector M12x1 / 5 poles	168 105
Kit mounting clamp N7xx	168 353
Mounting plate N7xx	168 379



www.mod-tronic.com | sales@mod-tronic.com | 1-800-794-5883