



CERTIFICATION RECORD

The company named below has been authorized by CSA International to represent the products listed in this record as "CSA Certified" and to affix the CSA Mark to these products according to the terms and conditions of the CSA Service Agreement and applicable CSA program requirements (including additional Markings).

File No: 045322_0_000
 Class No: 2258 04 PROCESS CONTROL EQUIPMENT Intrinsically Safe, Entity - For Hazardous Locations

SUBMITTOR

4504482 Dynalco
 A Crane Co. Company
 3690 N W 53rd St
 Fort Lauderdale, FL 33309-2478
 USA

FACTORIES

4504482 Dynalco
 A Crane Co. Company
 3690 N W 53rd St
 Fort Lauderdale, FL 33309-2478
 USA

4518604 Barksdale, Inc.
 3211 Fruitland Ave.
 Los Angeles, CA 90058
 USA

December 15, 2010 (Replaces: February 15, 1999)

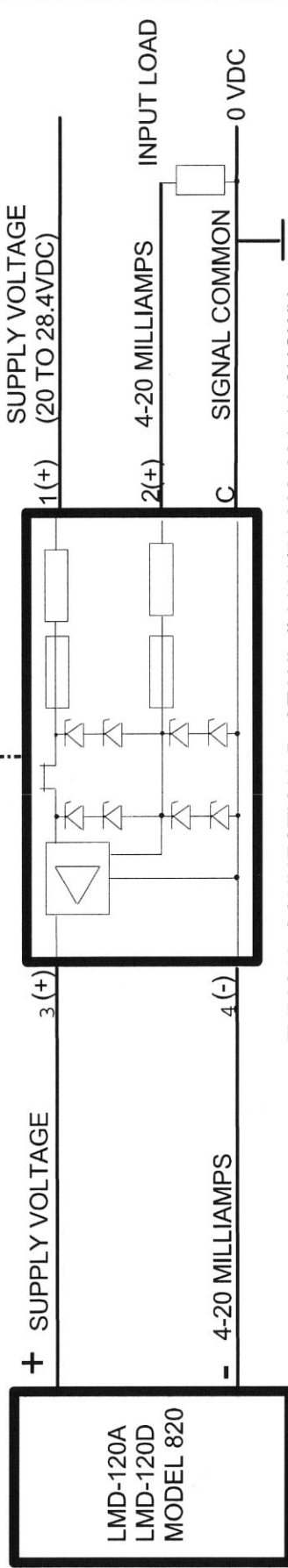
Class I, Groups A, B, C and D:

- Loop powered meters, LMD-120A, LMD-120D and Model 820. Intrinsically safe with entity parameters of $V_{max} = 30V$, $I_{max} = 100mA$, $C_i = 0$ and $L_i = 0$, when installed per Dynalco drawing A8009843.

/ka

REVISIONS

LTR	DESCRIPTION	DATE	APPD
A	ECN2222, Added entity parameters	2-9-99	M.M.



+ SUPPLY VOLTAGE 3 (+)
 - 4-20 MILLIAMPS 4 (-)
 SUPPLY VOLTAGE 1 (+) (20 TO 28.4VDC)
 4-20 MILLIAMPS 2 (+)
 SIGNAL COMMON 0 VDC C

TYPICAL CONNECTION: R. STAHL # 9001/51-280-091-14 SHOWN
 SINGLE CHANNEL ZENER BARRIER
 28.5VDC MAXIMUM VOLTAGE
 300 OHMS MINIMUM RESISTANCE
 CSA CERTIFIED

HAZARDOUS AREA

NON-HAZARDOUS AREA

CSA CERTIFIED CLASS I GROUPS A, B, C, D
 INTRINSICALLY SAFE SECURITE INTRINSEQUE

WARNING:
 SUBSTITUTION OF COMPONENTS MAY IMPAIR INTRINSIC SAFETY.
 AVERTISSEMENT:
 LA SUBSTITUTION DE COMPOSANTS PEUT COMPROMETTRE LA SECURITE INTRINSEQUE.

The LMD-120A, LMD-120D and Model 820 are also CSA Certified to the following entity parameters: $V_{max}=30V$, $I_{max}=100mA$, $L_i=0$, and $C_i=0$, when connected to a CSA Certified entity barrier.

THIS DOCUMENT, ALL INFORMATION CONTAINED HEREIN, AND ALL INFORMATION RELATED THERETO, IS THE PROPERTY OF DYNALCO CONTROLS (A UNIT OF MARK-CONTROLS CORPORATION), IS CONFIDENTIAL TO IT AND NO PART THEREOF NOR ANY SUCH INFORMATION MAY BE COPIED, DISSEMINATED OR USED IN SUCH A MANNER WHATSOEVER WITHOUT THE PRIOR WRITTEN CONSENT OF DYNALCO AND IS TO BE RETURNED TO DYNALCO UPON REQUEST.

DO NOT SCALE THIS DRAWING

N:\Products\lmd\9843_A.DS4

DYNALCO

PRODUCT/PART	DRAWN	DATE
LMD120A, LMD120D, MODEL 820	M. MORTENSEN APPROVED	3-17-92

TITLE
WIRING CONNECTION DIAGRAM

SCALE	SIZE	DRAWING NUMBER	REV.
A	A	8009843	A