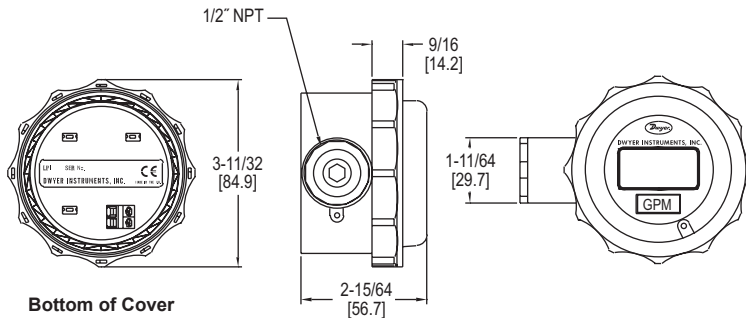


# LOOP POWERED PROCESS INDICATOR

## Square Root Function and User Defined Curves 4-Digit LED



The **Model LPI Loop Powered Process Indicator** accepts a 4-20 mA input signal and displays the associated process variable such as pressure, level, flow, temperature, or relative humidity. The indicator is housed in a NEMA 4X (IP66) polycarbonate enclosure with a 1/2" female NPT side port. Users can quickly modify the instrument configuration via three push buttons on the front of the unit.

### FEATURES/BENEFITS

- NEMA 4X (IP66) enclosure for outdoor applications
- Programmable input/output scaling, engineering units, offset, decimal point position, and password protection
- Bright red four-digit LED

### APPLICATIONS

- Displays process values from various transmitters

### SPECIFICATIONS @ 68°F (20°C)

<b>Input:</b> 4 to 20 mA.	<b>Maximum Display Range:</b> -1999 to 9999.
<b>Maximum Input Current:</b> 100 mA for 1 minute.	<b>Ambient Operating Temperature:</b> -4 to 167°F (-20 to 75°C).
<b>Accuracy:</b> ±0.02% FS.	<b>Storage Temperatures:</b> -58 to 185°F (-50 to 85°C).
<b>Stability:</b> Zero: 0.002%/°C; Span: 100 ppm/°C.	<b>Weight:</b> 6.0 oz (170 g).
<b>Power Requirements:</b> 2-wire 4 to 20 mA loop powered.	<b>Front Panel Protection:</b> NEMA 4X (IP66).
<b>Display:</b> 4-digit, 7.6 mm (high) red LED.	<b>Agency Approvals:</b> CE.

### MODEL CHART

Model	Description
LPI-111	Loop powered indicator with plastic enclosure