

Compact SSR

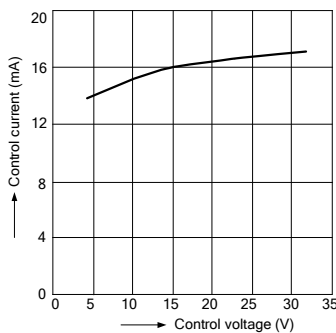


- Keeps the cost down for customized systems
- Built-in 'varistor' for absorbing external surges
- Easily viewable LED status indicator
- Highly insulated: dielectric strength between input and output: 4000 V
- Input supply voltage: 4 to 32 V DC
- Versatile! Selectable from 3 types (Max load current: 15 A, 25 A, 40 A)
- Output side terminal cover is standard. (Input side is optional.)

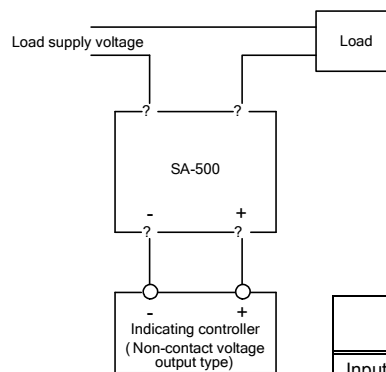


(Slightly bigger than actual size)

Characteristics of Control Voltage & Current



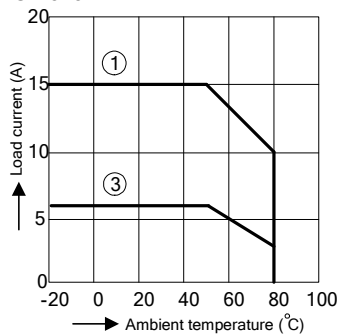
Wiring Example



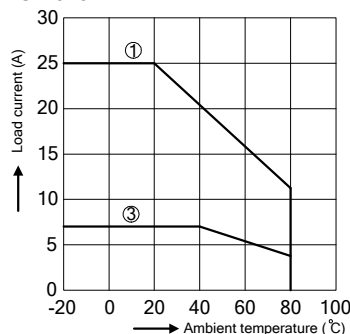
| Terminal | Screw | Specified Value |
|--------------------|----------|-----------------|
| Input side (③, ④) | M3 screw | 0.5N·m |
| Output side (①, ②) | M4 screw | 1.0N·m |

Ambient Temperature and Load Current

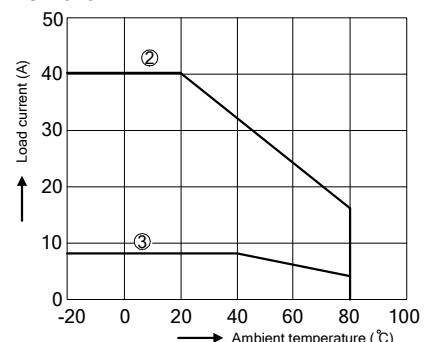
• SA-515-Z



• SA-525-Z



• SA-540-Z



- ① When mounted to the AQP811 type heat sink.
- ② When mounted to the AQP808 type heat sink.
- ③ When using without heat sink.

• The SA-500 can be used at an ambient temperature within the curved line indicated in the above diagrams.

Standard Specifications

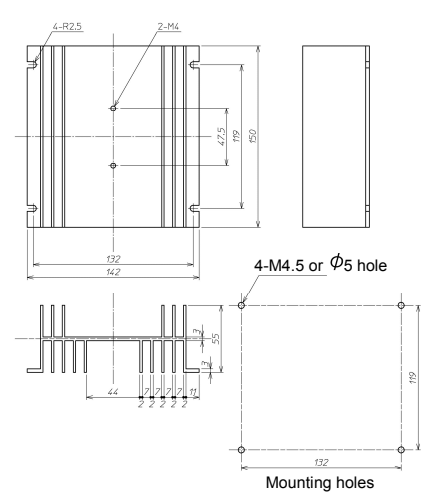
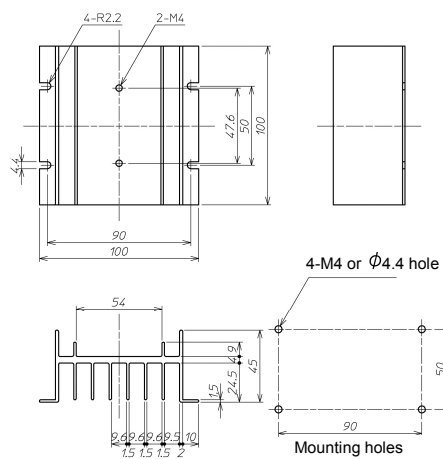
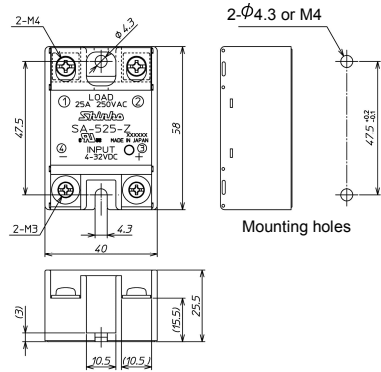
| | | | | | |
|---|---|-----------------------------|--|----------|-------|
| Rating (At 20°C of ambient temperature) | Model | SA-515-Z | SA-525-Z | SA-540-Z | |
| | Input side | Control voltage | 4 to 32 V DC | | |
| | | Input current | 20 mA or less | | |
| | | Recovery voltage | 1 V or more | | |
| | Output side | Maximum load current | 15 A | 25 A | 40 A |
| | | Load voltage | 75 to 250 V AC 45 to 65 Hz | | |
| | | Surge-on current (*1) | 150 A | 250 A | 400 A |
| | | "OFF-state" leakage current | 10 mA or less (60 Hz) | | |
| | | "ON-state" voltage drop | 1.6 V or less (When applying maximum load) | | |
| | Minimum load current (*2) | 100 mA | | | |
| (*1) 60 Hz 1 cycle | | | | | |
| (*2) When load current is lower than (and including) the rated load current, use a dummy resistor so that the load current can become 100 mA or more. | | | | | |
| Dielectric Strength | Between input terminal and output terminal: 4000 V AC for 1 minute Between input terminal and case: 2500 V AC for 1 minute | | | | |
| Ambient Temperature | -20 to 80°C (No icing, non-condensing) | | | | |
| Storage Temperature | -25 to 85°C (No icing, non-condensing) | | | | |
| Control System | Zero voltage switching system | | | | |
| External Dimensions | 40 x 58 x 25.5 mm (W x H x D) Applies to all models. | | | | |
| Weight | Approx. 70g | | | | |
| Accessories Included | Instruction manual 1 copy | | | | |
| Accessories Sold Separately | Terminal cover (TC-SA5), Heat sink: AQP811 (for SA-515-Z, SA-525-Z), AQP808 (for SA-540-Z) | | | | |

External Dimensions (Scale: mm)

SA-515-Z, SA-525-Z, SA-540-Z

Heat Sink AQP811 (SA-515-Z, SA-525-Z) (Sold separately)

Heat Sink AQP808 (SA-540-Z) (Sold separately)



Terminal Cover (TC-SA5) (Sold separately)

