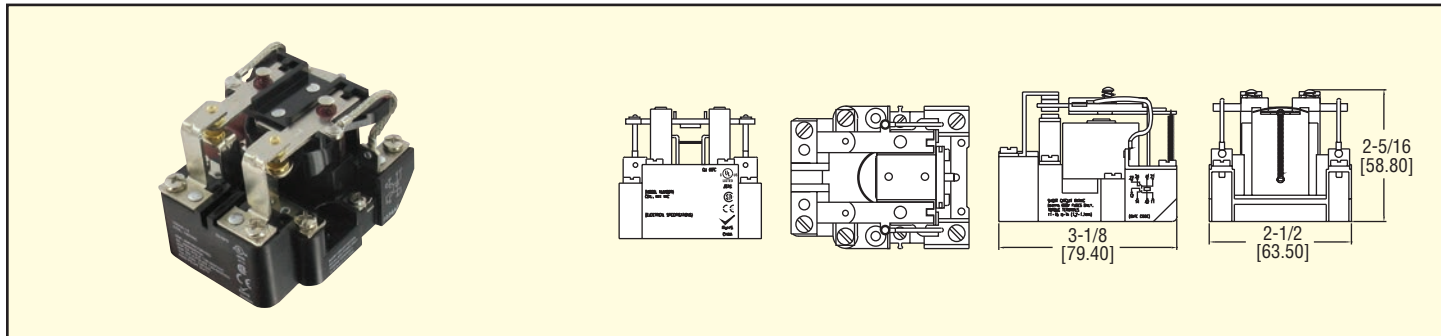




Series
199

Open Style Power Relays

DPDT, 40 Amp Rating (AC or DC)



The Series 199 Open Style Power Relays are designed for high AC and DC current applications up to 40 Amps. These mercury-free DPDT relays are available in a variety of trigger voltages and coil resistances to fit most common applications. The riveted housing construction increases the durability and reduces the effects of vibration on the relay.

AC Operated Model	Input Voltage	Coil Resistance
W199AX-13	24 VAC, 50/60 Hz	12 Ω
W199AX-14	120 VAC, 50/60 Hz	290 Ω
W199AX-15	240 VAC, 50/60 Hz	1200 Ω
DC Operated Model	Input Voltage	Coil Resistance
W199X-13	24 VDC	290 Ω

SPECIFICATIONS

Operating and Load Voltage Range: 24 to 240 VAC, 24 VDC.

Operating Range (% of Nominal): 85 to 110% (AC operated); 80 to 110% (DC operated).

Electrical Connection: AgSnO screw terminals.

Switching Operation: DPDT.

Electrical Rating: 40 A @ 300 VAC/28 VDC; 5 A @ 480/600 VAC.

Temperature Limits: Storage: -67 to 212°F (-55 to 100°C); Operation: -67 to 131°F (-55 to 55°C).

Power Consumption: 10 VA, 4 W.

Cycle Life: 100,000 cycles (electrical); 1,000,000 cycles (mechanical).

Housing: Plastic phenolic.

Weight: 8 to 11 oz (227 to 312 g).

Agency Approvals: CE, CSA, RoHS, cUL, UL, cUR, UR.