

SUBMERSIBLE LEVEL TRANSMITTERS

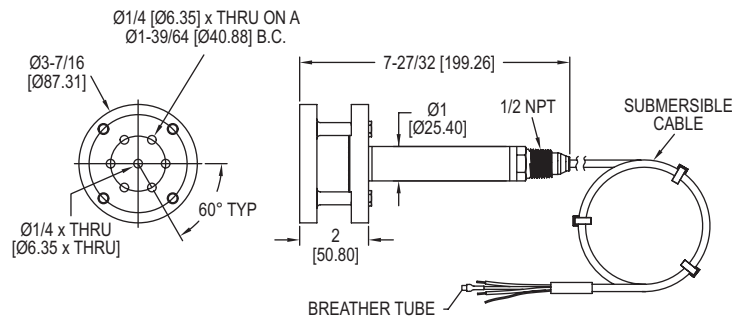
Perfect for Sludge and Slurries, Lightning Protected, Standard 72 Hour Lead Time



PBLT2

PBLTX

NOW WITH 72 HOUR
OUT OF STOCK LEAD TIME!



The **Series PBLT2 & PBLTX Submersible Level Transmitters** are manufactured for years of trouble free service in the harshest applications. These Series measure the height of liquid above the position in the tank referenced to atmospheric pressure. The transmitter consists of a piezoresistive sensing element, encased in a 316 SS housing with cage and large diameter 316 SS diaphragm seal.

FEATURES/BENEFITS

- Durable cage design with large diameter 316 SS diaphragm seal that is non-clogging and damage resistant to floating solids
- Incorporates lightning and surge protection utilizing dual arrestor technology, grounded to case, eliminating both power supply surges and lightning ground strike transients (surge protection is not guaranteed and is not covered by warranty) on PBLT2 models
- Maintenance free filter eliminates particulate or water droplets from entering the transducer
- UL approved intrinsically safe on PBLTX models for use in hazardous locations when used with proper barrier
- 270 lb tensile strength shielded and vented cable
- Excellent chemical compatibility
- NPT connection allows the unit to be rigidly installed in a pipe/conduit, or the addition of a A-625 hanging loop for attaching a chain for pulling out of the installation
- Standard 72 hour lead time ensures minimal downtime

APPLICATIONS

- Wastewater
- Sludge pits, clarifiers, digesters
- Alum tanks
- Chemical storage tanks
- Oil tanks
- Lime slurry
- Sumps
- Reservoirs

MODEL CHART			
Model	Range psi* (ft w.c.) [m w.c.]	Cable Length ft (m)	Cable Type
PBLT2-5-40	5 (11.54) [3.52]	40 (12.2)	ETFE
PBLT2-10-40	10 (23.09) [7.04]	40 (12.2)	ETFE
PBLT2-15-60	15 (34.63) [10.56]	60 (18.3)	ETFE
PBLT2-20-60	20 (46.18) [14.08]	60 (18.3)	ETFE
PBLT2-5-40-PU	5 (11.54) [3.52]	40 (12.2)	Polyurethane
PBLT2-10-40-PU	10 (23.09) [7.04]	40 (12.2)	Polyurethane
PBLT2-15-60-PU	15 (34.63) [10.56]	60 (18.3)	Polyurethane
PBLT2-20-60-PU	20 (46.18) [14.08]	60 (18.3)	Polyurethane
PBLT2-3.5M-5M-PU	4.97 (11.48) [3.5]	16.40 (5)	Polyurethane
PBLT2-5M-10M-PU	7.10 (16.38) [5]	32.81 (10)	Polyurethane
PBLT2-10M-18M-PU	14.21 (32.78) [10]	59.06 (18)	Polyurethane

*Configured ranges below 5 psi (11.54' w.c.) (3.52 m w.c.) ±1% FS accuracy

Note: For intrinsically safe approval, change model number from PBLT2 to PBLTX. For custom ranges or cable lengths, contact factory.

SPECIFICATIONS

- Service:** Compatible liquids.
- Wetted Materials:** Body: 316 SS, 316L SS; Cable: Polyether polyurethane or ETFE; Seals: Fluoroelastomer.
- Accuracy:** ±0.25% FS (includes linearity, hysteresis, and repeatability).
- Temperature Limit:** PBLT2: 0 to 200°F (-18 to 93°C); PBLTX: ETFE -4 to 176°F (-20 to 80°C); Polyurethane: -4 to 149°F (-20 to 65°C).
- Compensated Temperature Range:** PBLT2: 0 to 180°F (-18 to 82°C); PBLTX: 0 to 176°F (-18 to 80°C).
- Thermal Effect:** ±0.02% FS/°F.
- Pressure Limit:** 2X FS.
- Power Requirement:** PBLT2: 13-30 VDC; PBLTX: 10-28 VDC.
- Output Signal:** 4-20 mA DC, two wire.
- Response Time:** 50 ms.
- Loop Resistance:** 900 Ω.
- Electrical Connection:** Wire pigtail.
- Mounting Orientation:** Suspended in tank below level being measured.
- Electrical Protection:** PBLT2: Lightning and surge protection, PBLTX: none.
- Weight:** 4.3 lb (2.0 kg).
- Agency Approvals:** PBLT2: CE, PBLTX: CE, cULus intrinsically safe for Class I, Div. 1, Groups A, B, C, D; Class II, Div. 1, Groups E, F, G; Class III, Div. 1. (According to control drawing 001833-44)*.

*Up to 196' (59.5 m) for ETFE cable; Up to 333' (101.5 m) for polyurethane cable

ACCESSORIES

Model	Description
MTL5541	Galvanic barrier
MTL7706	Intrinsically safe zener barrier
A-297	Dessicant filter for vent tube. Removes humidity for protection of the sensor. Changes color to show saturation
A-625	316 SS cable hanger use with NPT option for attaching chain for easy pulling out of application



A-297

A-625