

10. Dimensional drawings

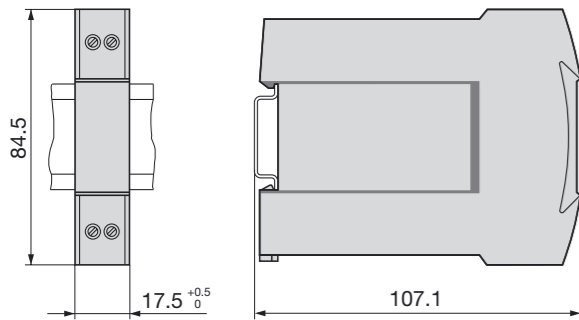


Fig. 12. SINEAX TI 807-5.... (housing **N17**) clipped onto a top-hat rail (35 × 7.5 or 35 × 15 mm, acc. to EN 50 022).

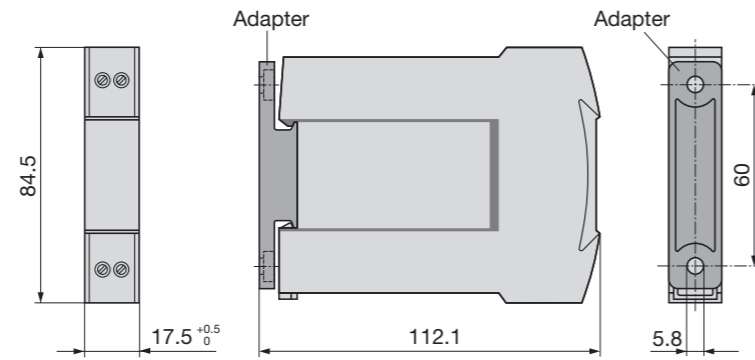


Fig. 13. SINEAX TI 807-5.... (housing **N17**) with adapter for wall mounting.

11. Declaration of conformity



EG - KONFORMITÄTSERKLÄRUNG
DECLARATION OF CONFORMITY



Dokument-Nr./
Document.No.: TI807.DOC

Hersteller/
Manufacturer: **Camille Bauer AG**
Switzerland

Anschrift /
Address: **Aargauerstrasse 7**
CH-5610 Wohlen

Produktbezeichnung/
Product name: **Passiver DC- Signaltrenner**
Pasive DC signal isolator

Typ / Type: **SINEAX TI 807**

Das bezeichnete Produkt stimmt mit den Vorschriften folgender Europäischer Richtlinien überein, nachgewiesen durch die Einhaltung folgender Normen:

The above mentioned product has been manufactured according to the regulations of the following European directives proven through compliance with the following standards:

Nr. / No.	Richtlinie / Directive
89/336/EWG 89/336/EEC	Elektromagnetische Verträglichkeit - EMV - Richtlinie Electromagnetic compatibility -EMC directive
EMV / EMC	Fachgrundnorm / Generic Standard
Störaussendung / Emission	EN 50 081-2 : 1993
Störfestigkeit / Immunity	EN 50 082-2 : 1994
	Messverfahren / Measurement methods
	EN 55011 : 1992
	IEC 1000-4-2 : 1991 IEC 1000-4-3 : 1995 IEC 1000-4-4 : 1988 IEC 1000-4-6 : 1995
Nr. / No.	Richtlinie / Directive
73/23/EWG 73/23/EEC	Elektrische Betriebsmittel zur Verwendung innerhalb bestimmter Spannungsgrenzen - Niederspannungsrichtlinie - CE-Kennzeichnung : 95 Electrical equipment for use within certain voltage limits - Low Voltage Directive - Attachment of CE mark : 95
EN/Norm/Standard	IEC/Norm/Standard
EN 61 010-1 : 1993	IEC 1010-1 : 1990 + A1 : 1992

Die explosionsgeschützte Ausführung dieses Produkts stimmt mit der Europäischen Richtlinie 94/9/EG überein.

The explosion protected variant of this product has been manufactured according the European directive 94/9.

Ort, Datum /
Place, date: Wohlen, den 5. Juni 1999

Unterschrift /
Signature: M. Ulrich

Signature: *M. Ulrich* Leiter Entwicklung

Diese Erklärung bescheinigt die Übereinstimmung mit den genannten Richtlinien, beinhaltet jedoch keine Zusicherung von Eigenschaften. Die Sicherheitshinweise der mitgelieferten Produktdokumentationen sind zu beachten.

This declaration certifies compliance with the above mentioned directives but does not include a property assurance. The safety notes given in the product documentations, which are part of the supply, must be observed.

The following symbols in the Operating Instructions indicate safety precautions which must be strictly observed:



The instruments must only be disposed of in the correct way!

Operating Instructions

CAMILLE BAUER

MOD-TRONIC
INSTRUMENTS LIMITED

1 Delta Park Blvd, #12 Brampton, ON L6T 5G1
Tel 905-457-6322 or 1-800-794-5883
Fax 905-457-4716 or 1-800-830-7122
sales@mod-tronic.com www.mod-tronic.com

Passive DC signal isolator SINEAX TI 807-5



TI 807-5 Be 999766-01 08.05

Contents

1. Read first and then ...	1
2. Scope of supply	1
3. Brief description	1
4. Specification and ordering information	1
5. Technical data	1
6. Mounting	2
7. Electrical connections	3
8. Commissioning and maintenance	3
9. Releasing the signal isolator	3
10. Dimensional drawings	4
11. Declaration of conformity	4

1. Read first and then ...



The proper and safe operation of the device assumes that the Operating Instructions are **read carefully** and the safety warnings given in the sections

6. Mounting

7. Electrical connections

are **observed**.

The device should only be handled by appropriately trained personnel who are familiar with it and authorised to work in electrical installations.

Unauthorized repair or alteration of the unit invalidates the warranty!

2. Scope of supply

Signal isolator (Fig. 1)

1 Adapter (Fig. 1) for wall mounting

1 copy Operating Instructions (Fig. 2) in English, French, German

1 Ex approval (Fig. 2), only for Ex version devices



Fig. 1



Fig. 2

3. Brief description

The signal isolator SINEAX TI 807 serves to electrically insulate one analogue DC signal in the range 0...20 mA which depending on version is then converted to a current or voltage signal (0...20 mA or 0...10 V). It does **not** require a separate power supply.

4. Specification and ordering information

Order Code 807 -	5	1		
1. Mechanical design Housing N17	5	1		
2. Version Standard (non-Ex) Input and output signals non-intrinsically safe [Ex ib] IIC Input signal intrinsically safe [Ex ia] IIC Output signal intrinsically safe		1	2	6
3. Number of isolation and transmission channels 1 channel (interface)				1
4. Output signal A \rightarrow 0 ... 20 mA 0 ... 10 V				0 1
5. Climatic rating Standard climatic rating Improved climatic rating				0 1

5. Technical data

Input signal E \rightarrow

DC current signal I_E: 0...20 mA

Max. permissible current: 50 mA

Voltage limiter:
Non-Ex version: 27 V ±5%
(with zener diode)
Ex version: 18 V, ±5%

Output signal A \rightarrow
(DC current or DC voltage)

DC current signal I_A: 0...20 mA

Voltage drop U_v:

< 2.8 V	for the standard (non-Ex) version
< 4.7 V	for Ex versions (input signal "intrinsically safe")
< 6.3 V	for Ex versions (output signal "intrinsically safe")

Max. burden:

1000 Ω	for the standard (non-Ex) version
500 Ω	for Ex versions (input signal "intrinsically safe")
500 Ω	for Ex versions (output signal "intrinsically safe")

Limit: Approx. 40 mA

Residual ripple: <20 mV ss

Time constant: Approx. 3 ms

Response time¹

acc. to IEC 770: Approx. 15 ms

DC voltage signal U_A: 0...10 V

Voltage drop U_v:

< 2.8 V	for the standard (non-Ex) version
< 4.7 V	for Ex versions (input signal "intrinsically safe")
< 6.3 V	for Ex versions (output signal "intrinsically safe")

Internal resistance: 500 Ω

Limit:

< 26 V for the standard (non-Ex) version

< 16 V for Ex versions
(input signal "intrinsically safe")

< 16 V for Ex versions
(output signal "intrinsically safe")

Residual ripple: < 20 mV ss

Time constant: Approx. 3 ms

Response time¹

acc. to IEC 770: Approx. 15 ms

Accuracy data

Error limits:
< ±0.1%²
(Reference value 20 mA including linearity error)
< ±0.2%³
(Reference value 10 V including linearity error)

Ambient conditions

Operating temperature: -25 to +55 °C
-20 to +55 °C
(Ex versions: input or output signal "intrinsically safe")

Storage temperature: -40 to +70 °C

Annual mean relative humidity:
≤75% standard climatic rating
≤95% improved climatic rating

Seismic test: 5 g, <200 Hz, 2 h in each of 3 directions

Shock: **50 g**, 10 shocks in each of 3 directions

Altitude: 2000 m max.

Indoor use statement!

¹ This is the time which transpires before the output signal reaches the error limit of 1% for a step change of the input signal from 0 to 90%.

² With current signal and R_A = 250 Ω

³ With voltage signal

6. Mounting

The SINEAX TI 807 can be mounted either on a top-hat rail or directly onto a wall or mounting plate using the adapter (standard accessory).



Make sure that the ambient temperature stays within the **permissible limits**:
-25 and +55 °C for standard instruments
-20 and +55 °C for instruments in **Ex** version!

6.1 Top-hat rail mounting

Simply clip the device onto the top-hat rail (EN 50 022) (see Fig. 3).

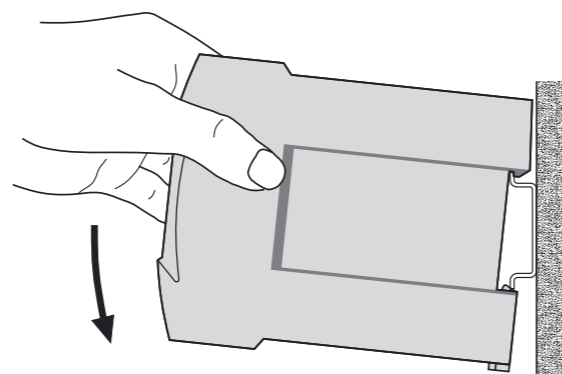


Fig. 3. Mounting on top-hat rails 35 × 15 or 35 × 7.5 mm.

6.2 Wall mounting

Drill 2 holes in the wall or panel as shown in the drilling pattern (Fig. 4). Now secure the adapter (standard accessory) to the wall or panel using two 5 mm diameter screws (Fig. 5). Clip the device onto the adapter (Fig. 6).

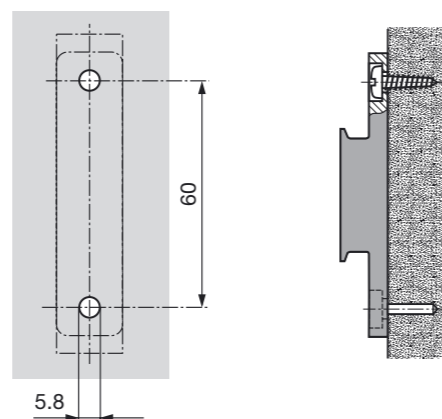


Fig. 4. Drilling pattern.

Fig. 5. Adapter mounted on wall.

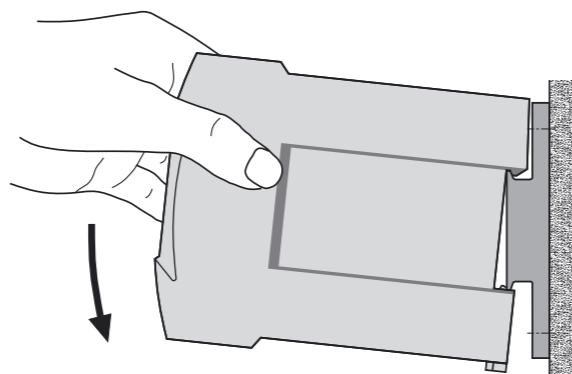


Fig. 6. Mounting on the adapter.

7. Electrical connections

The electrical connections are made to screw terminals which are easily accessible from the front of the signal isolator (see Fig. 8 and 9) and can accommodate wire gauges up to 2.5 mm².



Make sure that the cables are not live when making the connections!



In the case of "Intrinsically safe" [EEx ib] IIC or [EEx ia] IIC explosionproof versions, the supplementary information given on the type examination certification, the EN 60 079-14 and also local regulations applicable to electrical installations in explosion hazard areas must be taken into account.



Note that, ...

... the required electrical insulation and transmission data agree with the data on the nameplate of the SINEAX TI 807 (→ input signal and → output signal, see Fig. 7)!

... in the case of a signal isolator with current outputs 0...20 mA, the total resistance of the external leads (receiver plus leads) does not exceed the maximum burden of 1000 Ω (non-Ex version) or 500 Ω (Ex version)! See "Output signal" in Section 5 "Technical data"!

... in the case of a signal isolator with voltage output 0...10 V, the external receiver connected across the output has a sufficiently high internal resistance R_{IA} in relation to the SINEAX TI 807 output impedance of 500 Ω! See "Output signal" in Section 5 "Technical data"!

The error due to R_{IA} is:

$$F [\%] = \frac{500 [\Omega] \cdot 100}{R_{IA} [\Omega]}$$

... the input and output cables should be twisted pairs and run as far as possible away from heavy current cables!

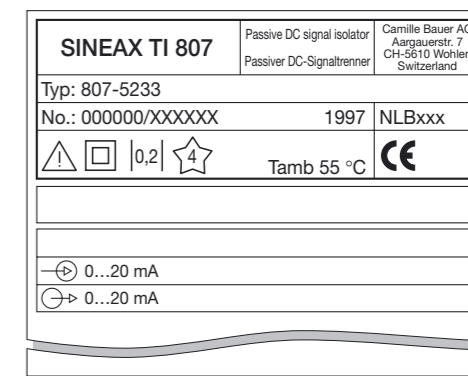


Fig. 7. Example of a nameplate.

Connect the input E and output A leads according to Figures 8 and 9.

Signal isolator in housing N17 with one isolation and transmission channel

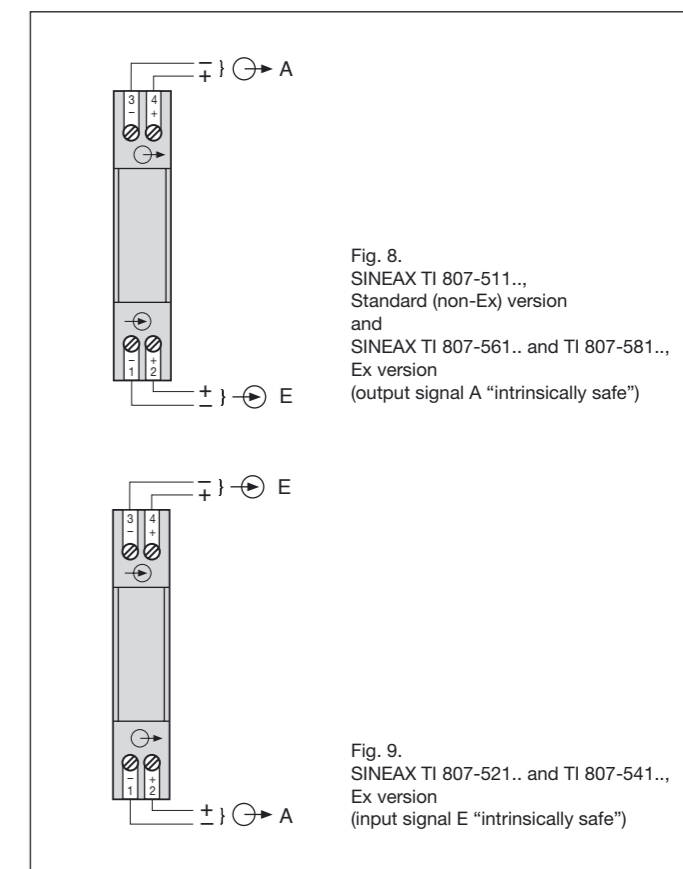


Fig. 8. SINEAX TI 807-511..., Standard (non-Ex) version and SINEAX TI 807-561... and TI 807-581..., Ex version (output signal A "intrinsically safe")

Fig. 9. SINEAX TI 807-521... and TI 807-541..., Ex version (input signal E "intrinsically safe")

8. Commissioning and maintenance

The device is in operation as soon as the input signal E is connected. The signal isolator requires no maintenance.

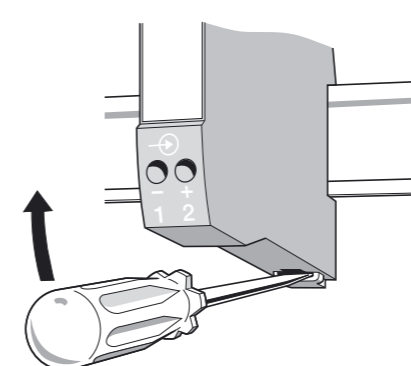


Fig. 10

9. Releasing the signal isolator

Release the signal isolator from a top-hat rail as shown in Fig. 10 or from the adapter as shown in Fig. 11.

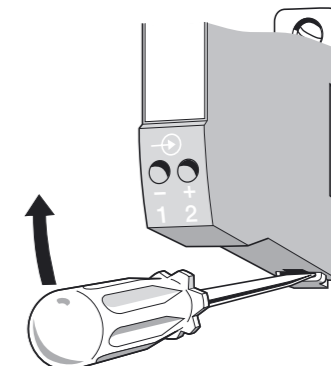


Fig. 11