

CATEGORY:

- Temperature
- Pressure
- Flow
- Speed
- Weighing
- Other

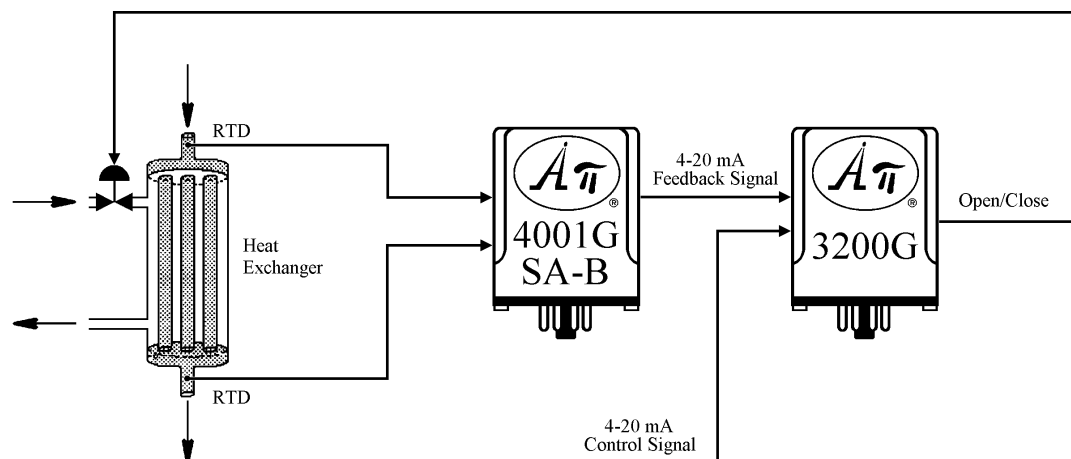
MAINTAINING A CONSTANT TEMPERATURE DIFFERENTIAL ACROSS A HEAT EXCHANGER

PROBLEM:

A critical process requires precise control of the change in temperature of the process fluid across a heat exchanger.

SOLUTION:

Install RTDs at the process fluid heat exchanger inlet and outlet and connect the RTDs to an Api Model 4001GSA-B Non-Isolated Differential RTD to DC Transmitter module.



The Api 4001GSA-B computes the differential temperature and provides a proportional 4-20 mA output signal which is used by the Api Model 3200G Valve/Actuator Positioner/Controller module to drive the temperature control valve open or closed as necessary to maintain the required process fluid temperature differential.

Did You Know ... ?

Api never charges an expediting fee and will accept MasterCard and Visa credit cards.