

# KINAX 2W2

## Programmable transmitter for angular position

### Application

The **KINAX 2W2** (Figs. 2 and 3) converts the angular position of a shaft into a **load independent** direct current signal, proportional to the angular position. The unit is **contact free** and has **minimal mechanical abrasion** on the input shaft. It technically extends the delivery program of angular transmitters with a programmable version and thus creates a number of new technical application possibilities.

### Features / Benefits

- **Measuring range, sense of rotation, characteristic, switching point and other additional functions programmed using PC / Simplifies project planning and engineering, short delivery times, low stocking**

Measured variable	Measuring range limits
Angular position	Programmable between 0 ... 10 and 0 ... 50 or 0 ... 50 and 0 ... 350 $\angle$ °

- **Type of protection "Intrinsic safety" EEx ia IIC T6 / Can be mounted within the hazardous area (see "Table 3: Data on explosion protection")**
- **Simulation of measured values / The testing of the subsequent device chain is already possible during the installation phase**
- **Measured value acquisition / Display of the instantaneous value and a trend graph of the measured value on the screen**
- **Adjustment / Independent fine adjustment of the analog output, zero position and measuring range**
- **Characteristic of the output value / Programmable as a linear, V-characteristic, or any characteristic curve**
- **The shaft can be turned through a full 360°**
- **Patented measuring method**

### Layout and mode of operation

The transmitter consists of 2 main parts: the differential screen capacitor D and the electronic circuitry E (see Fig. 1).

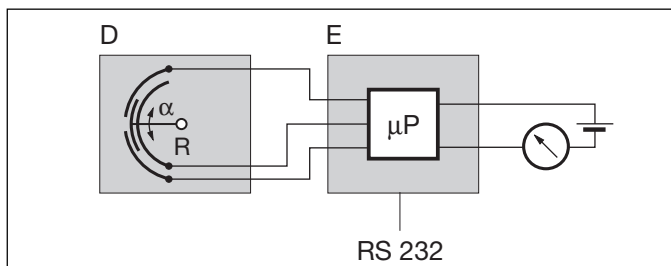


Fig. 1. Block diagram.

The angular deflection  $\alpha$  of the device to be measured is transferred to the rotor R of the differential screen capacitor with the aid of a mechanical coupling. It is then converted into a change of capacitance proportional to the angle.

All changes to the position of the rotor result in a change in the capacitance at the input to the microprocessor. This is transformed into a DC current signal proportional to the measured value.



Fig. 2. KINAX 2W2 with shaft dia. 2 mm, length 6 mm.



Fig. 3. Rear view with programming connector and connections for measuring output.

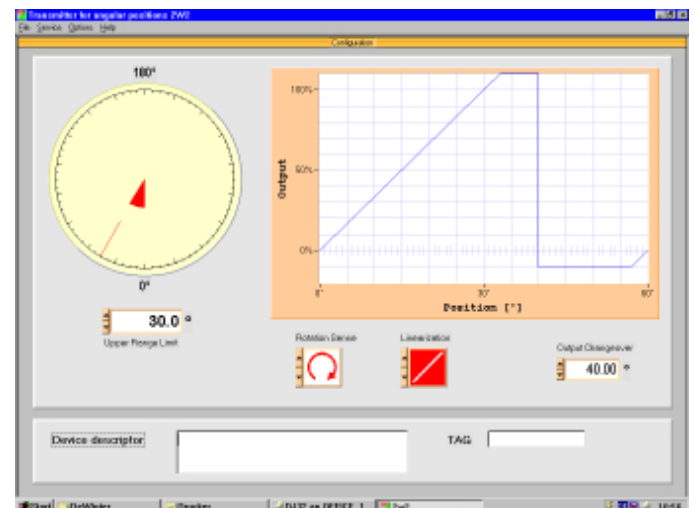


Fig. 4. Print screen example of the menu-controlled programming software.

# KINAX 2W2

## Programmable transmitter for angular position

### Programming

A PC, the programming cable PK 610 plus ancillary cable and the configuration software 2W2 are required to program the transmitter. (Details of the programming cable and the software are to be found in the separate data sheet: PK 610 Le.)

The connections between "PC ↔ PK 610 ↔ KINAX 2W2" can be seen from Fig. 5. The transmitter can be programmed either with or without the power supply connected.

The software 2W2 is supplied on one CD and runs under Windows 95 or higher.

The programming cable PK 610 adjusts the signal level between the PC and the transmitter KINAX 2W2.

The programming cable PK 610 is used for programming both standard and Ex versions.

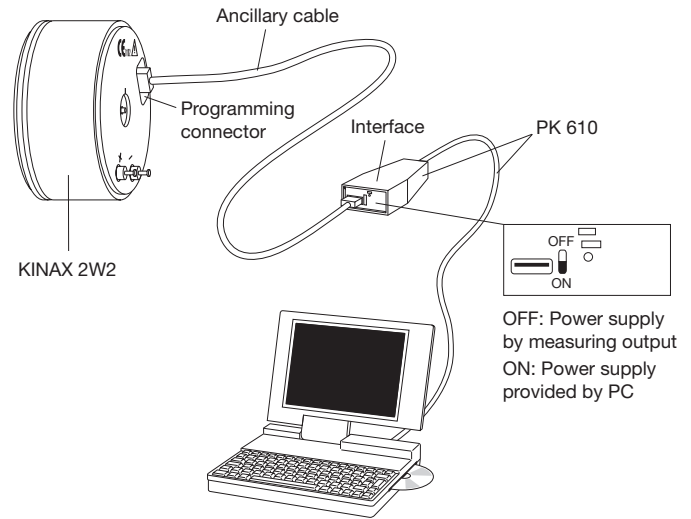


Fig. 5. Example of the set-up for programming a KINAX 2W2 without the power supply. For this case the switch on the interface must be set to «ON».

### Technical data

#### General

Measured quantity:	Angle of rotation $\alpha$ $\curvearrowright$ °
Measuring principle:	Capacitive method Differential screen capacitor with contact-free, non-wearing positional pick-up. Drive shaft fully rotatable without stops (patented measuring method)

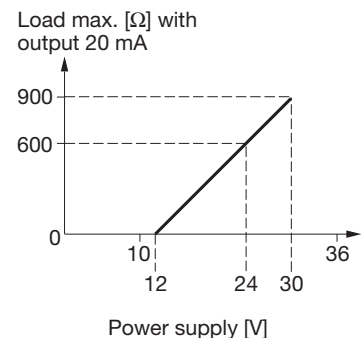
#### Measuring input $\rightarrow$

Measuring range of rotation angle:	Programmable between 0 ... 10 and 0 ... 50 or 0 ... 50 and 0 ... 350 $\curvearrowright$ °
Drive shaft diameters:	2 or 6 mm resp. 1/4"
Frictional torque:	< 0.001 Ncm with shaft dia. 2 mm < 0.03 Ncm with shaft dia. 6 mm resp. 1/4"
Sense of rotation of the drive shaft:	Programmable for sense of rotation clockwise or counterclockwise

#### Measuring output $\rightarrow$

Output variable $I_A$ :	(output/powering circuit) Load-independent DC current, proportional to the input angle
Zero point correction:	Approx. $\pm$ 5%
Span adjustment:	Approx. $\pm$ 5%
Current limitation:	$I_A$ max. 40 mA
Standard range:	4...20 mA, two-wire

External resistance (load):  $R_{ext} \max. = \frac{\text{Power supply [V]} - 12 \text{ V}}{\text{Output signal end value [mA]}}$  [k $\Omega$ ]



Residual ripple in output current:	< 0.3% p.p.
Response time:	< 5 ms

#### Programming connector

Interface:	Serial interface
------------	------------------

#### Accuracy data

Reference value:	Measuring span
Basic accuracy:	Error limits at reference conditions $\leq \pm$ 0.5%
Reproducibility:	< 0.2%

#### Reference conditions

Ambient temperature	23 °C $\pm$ 2 K
Power supply	18 V DC
Output burden	0 $\Omega$

Adjustments

350° version  
measuring range > 50...350°  
characteristic linear

50° version  
measuring range ≥ 10...50°  
characteristic linear

**Influence effects (maxima)**

(included in basic error)

Dependence on external  
resistance  $\Delta R_{ext}$  max.

± 0.1%

Power supply influence

± 0.1%

**Additional errors (cumulative)**

Output characteristic	Definitions	Device version	Additional error
simple "V" characteristic 	Angle max. = MW Angle min. = 0°	350°	$f = \left(\frac{0.18^\circ}{MW}\right) \times 100$
		50°	$f = \left(\frac{0.05^\circ}{MW}\right) \times 100$
"V" characteristic with offset 	MS = (angle max.) - (angle min.) Angle max. = ± final angle Angle min. = > 0°	350°	$f = \left(\frac{0.25^\circ}{MS}\right) \times 100$
		50°	$f = \left(\frac{0.09^\circ}{MS}\right) \times 100$
any characteristic 	MS = (angle max.) - (angle min.)	350°	$f = \left(\frac{0.25^\circ}{MS}\right) \times 100$
		50°	$f = \left(\frac{0.09^\circ}{MS}\right) \times 100$

Temperature influence  
(- 25...+ 70 °C)

± 0.2% / 10 K

Bearing play influence

± 0.1%

DC voltage  
(continuation):

Version intrinsically safe  
12...30 V

**Power supply H** → ○

DC voltage:

Version non intrinsically safe  
12...33 V

max. residual ripple 10% p.p.  
(12 V must not be understepped)  
Protected against wrong polarity

# KINAX 2W2

## Programmable transmitter for angular position

### Installation data

Dimensions:	See section "Dimensional drawings"		
Housing:	Chromated aluminium		
Mounting position:	Any		
Electrical connections:	Soldering terminals resp. screw terminals Protection class IP 00 acc. to IEC 529		
Permissible vibrations:	5 g every 2 h in 3 directions $f \leq 200$ Hz		
Shock:	3 × 50 g 10 shocks each in 3 directions		
Admissible static loading of shaft:	Drive shafts dia.	2 mm	6 mm
	Sense		resp. 1/4"
	radial max.	16 N	83 N
	axial max.	25 N	130 N
Weight:	Approx. 100 g		
Fixation:	3 cheesehead screws M3 or with 3 clamps		

Intrinsically safe:	Acc. to EN 50 020
Impulse voltage withstand:	1 kV, 1.2/50 $\mu$ s, 0.5 Ws IEC 255-4, Cl. II
Housing protection:	IP 50 acc. to IEC 529
Test voltage:	All connections against housing 500 Veff., 50 Hz, 1 min.
Admissible common-mode voltage:	100 V, 50 Hz

### Environmental conditions

Climatic rating:	Standard version Temperature – 25 to + 70 °C Annual mean relative humidity $\leq 90\%$ or Version with improved climatic rating Temperature – 40 to + 70 °C Annual mean relative humidity $\leq 95\%$
	Ex version Temperature – 40 to + 55 °C at T6 resp. – 40 to + 75 °C at T5
Transportation and storage temperature:	– 40 to 80 °C

### Regulations

Electromagnetic compatibility:	The standards DIN EN 50 081-2 and DIN EN 50 082-2 are observed
--------------------------------	--

### Basic configuration

The transmitter KINAX 2W2 is also available already programmed with a **basic** configuration which is especially recommended in

cases where the programming data is not known at the time of ordering (see "Table 1: Specification and ordering information" feature 7).

**Basic** configuration:

Order Code	Mechanical angle range	Measuring range	Switching point	Sense of rotation	Characteristic of output variable
760 - 1111 100	50°	0 ... 50°	55°	Clockwise	Linear
760 - 1211 100	350°	0 ... 350°	355°	Clockwise	Linear

**Table 1: Specification and ordering information**

Order Code <b>760</b> –			
Features, Selection	*SCODE	no-go	
<b>1. Version of the transmitter</b>			
1) Standard, measuring output non intrinsically safe			
2) EEx ia IIC T6, CENELEC/ATEX, measuring output intrinsically safe			
<b>2. Mechanical angle range</b>			
1) Angle range, to 50°			
2) Angle range > 50 to 350°			

Order Code 760 –									
Features, Selection	*SCODE	no-go	1	2	3	4	5	6	
<b>3. Drive shaft</b>									
1) Standard, dia. 2 mm at front, length 6 mm			1	.	.	.	.	.	
2) Special, dia. 2 mm at front, length 12 mm, dia. 2 mm at rear, length 6 mm			2	.	.	.	.	.	
3) Special, dia. 6 mm at front, length 12 mm			3	.	.	.	.	.	
4) Special, dia. 6 mm at front, length 12 mm, dia. 2 mm at rear, length 6 mm			4	.	.	.	.	.	
5) Special, dia. 1/4" at front, length 12 mm			5	.	.	.	.	.	
6) Special, dia. 1/4" at front, length 12 mm, dia. 2 mm at rear, length 6 mm			6	.	.	.	.	.	
<b>4. Output variable</b>									
1) Current, 4 ... 20 mA, 2-wire connection			.	1	.	.	.	.	
<b>5. Electrical connection</b>									
1) Connection to soldering terminals			.	.	1	.	.	.	
2) Connection to screw terminals			.	.	2	.	.	.	
<b>6. Test certificate</b>									
0) Without test certificate			.	.	.	0	.	.	
D) Test certificate in German			.	.	.	D	.	.	
E) Test certificate in English			.	.	.	E	.	.	
<b>7. Configuration</b>									
0) <b>Basic</b> configuration, programmed	G		.	.	.	0	.	.	
1) Programmed to order			.	.	.	1	.	.	
2) Programmed to order, with zero position mark on the drive shaft disk			.	.	.	2	.	.	
Line 0: Specification complete!									
Line 2: Required if the device is to be installed without 2W2 software.									
<b>8. Sense of rotation</b>									
0) Programmed for sense of rotation clockwise	J		.	.	.	.	0	.	
1) Programmed for sense of rotation counterclockwise	J	G	.	.	.	.	1	.	
2) Programmed for "V" characteristic	K	G	.	.	.	.	2	.	
<b>9. Measuring range</b>									
9) [° angle], 0 ... final value: <input type="text"/> Switching point: <input type="text"/>		K	.	.	.	.	9	.	
Z) "V" characteristic [± ° angle], min.: <input type="text"/> max. <input type="text"/>		GJ	.	.	.	.	Z	.	
Line 9: Admissible values									
Final value ≥ 10 to 50° with selected angle range 50° > 50 to 350° with selected angle range 350°									
Switching point > final value, max. 60° with angle range 50° > final value, max. 360° with angle range 350° ≥ 105% final value with non-linear characteristic									
Line Z: Admissible values									
Minimum value [± ° angle] ≥ 0									
Maximum value [± ° angle] ≤ 25° with angle range 50°, span (max. – min.) ≥ 5° > 25° to 175° with angle range 350°, span ≥ 25° symmetrical about the center line, e.g. [± ° angle], min. value = 15; max. value = 120, ≧ – 120 ... – 15 ... 0 ... 15 ... 120° (input) and + 20 ... 4 ... <4 ... 4 ... + 20 mA (output)									

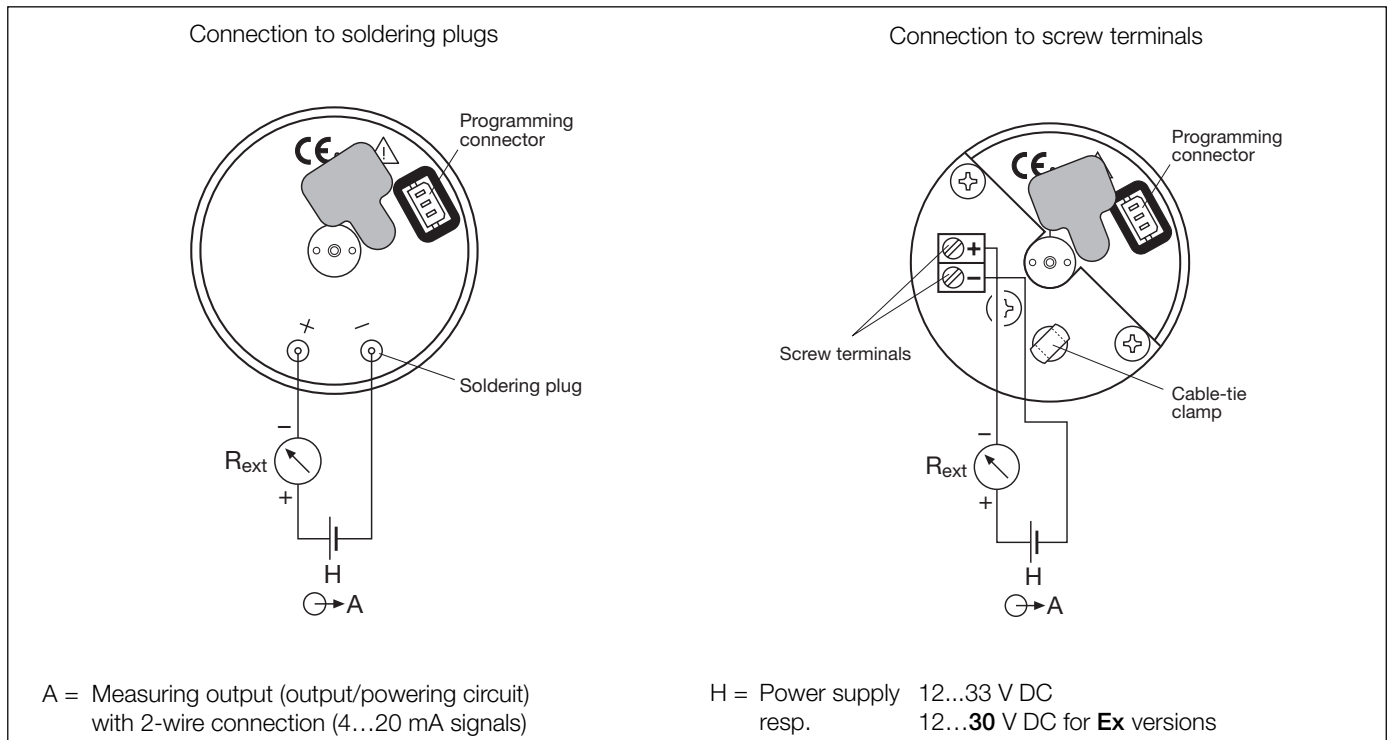
# KINAX 2W2

## Programmable transmitter for angular position

Order Code 760 –			
Features, Selection	*SCODE	no-go	
<b>10. Characteristic of output variable</b>			
0) Linear			0 . . . . .
1) Function X to the power of 1/2		GK	1 . . . . .
2) Function X to the power of 3/2		GK	2 . . . . .
3) Function X to the power of 5/2		GK	3 . . . . .
4) Customized		GK	4 . . . . .
Lines 1 to 4: Not possible with “V” characteristic (Line 2 in feature 8, sense of action)			
Line 4: Give an algorithm or fixed points (23 values in 5% steps from –5% to 105% of the measuring range. Output continuously variable 0 to 100%).			
<b>11. Climatic rating</b>			
0) Standard climatic rating (annual mean relative humidity ≤ 90%)			. 0 . . . . .
1) Improved climatic rating (annual mean relative humidity ≤ 95%)		G	. 1 . . . . .
<b>12. Marine version</b>			
0) Without			. . 0 . . . . .
1) Version GL (“Germanischer Lloyd”)		G	. . 1 . . . . .

\* Lines with letter(s) under “no-go” cannot be combined with preceding lines having the same letter under “SCODE”

### Electrical connections



**Table 2: Accessories and spare parts**

Description		Order No.
Programming cable PK 610 for KINAX 2W2		137 887
Ancillary cable for KINAX 2W2		141 440
Configuration Software 2W2 Windows 95 or higher on CD in German and English <b>(Download free of charge under <a href="http://www.gmc-instruments.com">http://www.gmc-instruments.com</a>)</b>  In addition, the CD contains all configuration programmes presently available for Camille Bauer products		146 557
Operating Instructions 2W2 Bd in German		149 965
Operating Instructions 2W2 Bf in French		149 981
Operating Instructions 2W2 Be in English		149 973

**Table 3: Data on explosion protection**

Order Code	Type of protection "Intrinsic safety"		Certificate	Mounting location
	Instrument	Measuring output		
760 - 2 ...	EEx ia IIC T6	U I P C	Ex-type-examination Certificate in preparation	<b>Within</b> the hazardous area

**Dimensional drawings** (the total depth of the screw-terminal version is 43 mm)

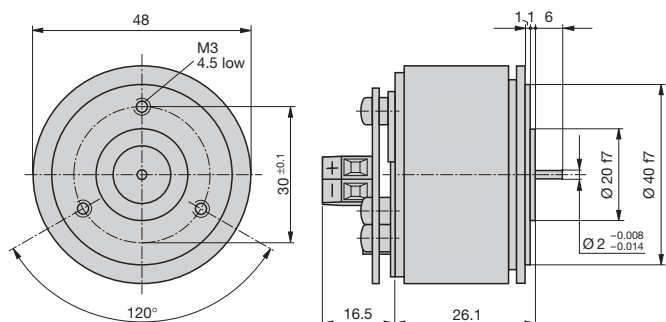


Fig. 6. KINAX 2W2 with standard drive shaft at front **only**, Ø 2 mm, length 6 mm, screw terminal version.

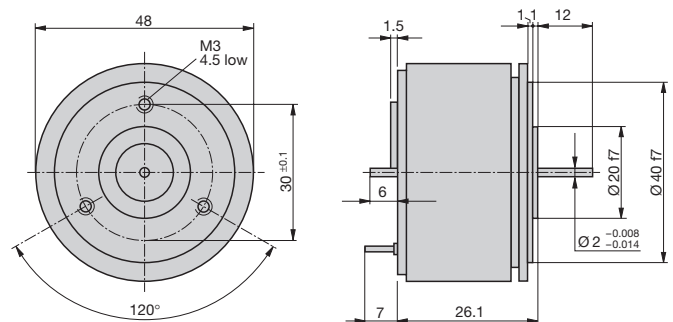


Fig. 7. KINAX 2W2 with special shaft drive at front **and** at rear. At front: Ø 2 mm, length 12 mm. At rear: Ø 2 mm, length 6 mm.

# KINAX 2W2

## Programmable transmitter for angular position

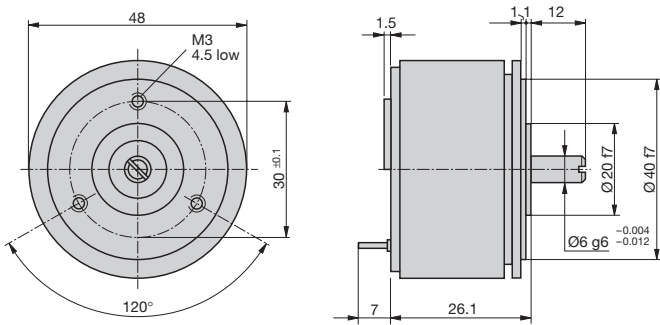


Fig. 8. KINAX 2W2 with special drive shaft at front **only**, Ø 6 mm, length 12 mm.

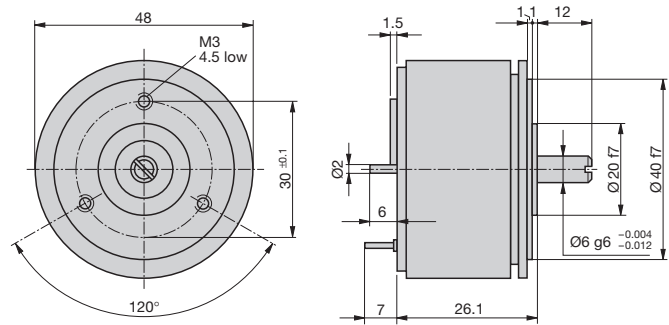


Fig. 9. KINAX 2W2 with special drive shaft at front **and** at rear. At front: Ø 6 mm, length 12 mm. At rear: Ø 2 mm, length 6 mm.

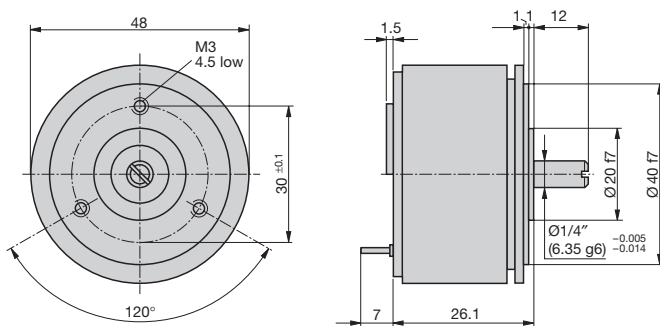


Fig. 10. KINAX 2W2 with special drive shaft at front **only**, Ø 1/4", length 12 mm.

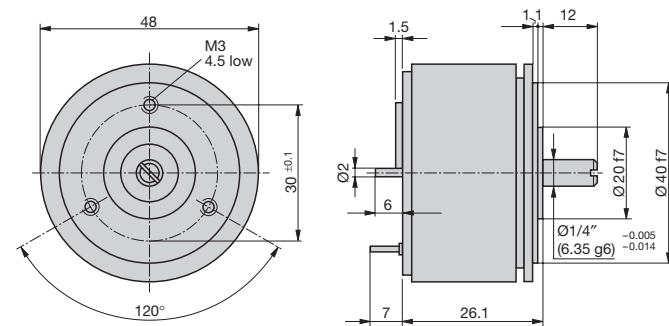


Fig. 11. KINAX 2W2 with special drive shaft at front **and** at rear. At front: Ø 1/4", length 12 mm. At rear: Ø 2 mm, length 6 mm.

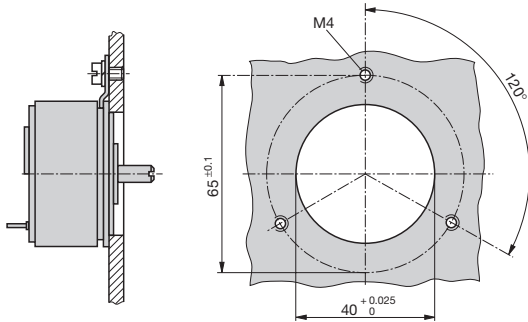


Fig. 12. Drilling plan for fixing with 3 spring clamps.

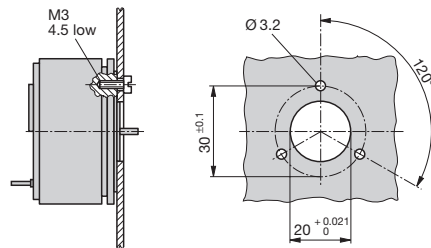


Fig. 13. Drilling plan for fixing with 3 cheesehead screws M3.

### Standard accessories

- 3 clamps
- 1 Operating Instructions each in German, French and English
- 1 Ex approval (for instruments in Ex version only)