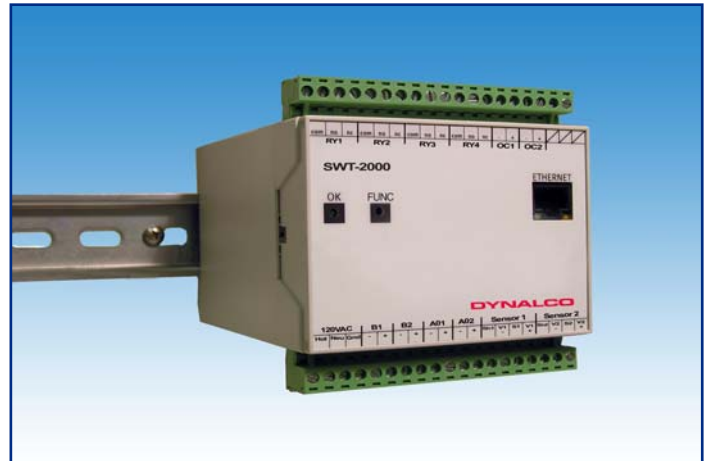


# SWT-2000

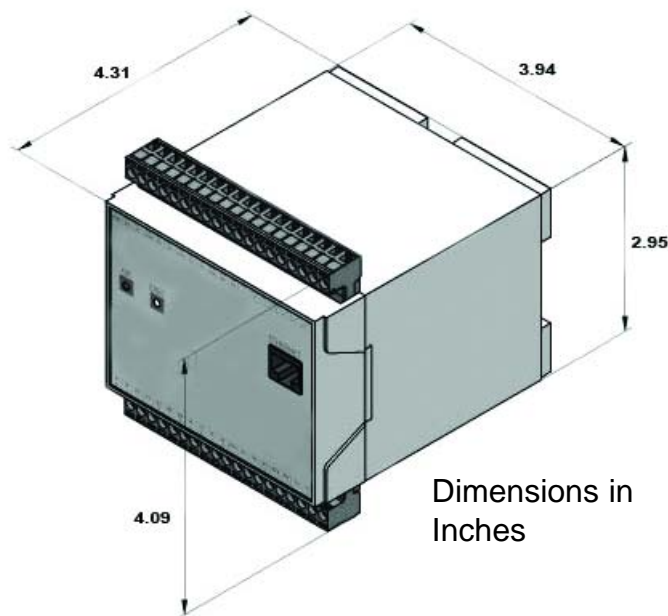
## 2 Channel Speed Switch/Transmitter

- 2 Speed switches in one..
  - Monitor and protect two separate machines
  - Provide redundant speed protection on one machine
- Flexible - Allows multiple setup configurations
- Dual speed measurement/protection
- DIN rail mounting



### Features

- 2 frequency + 2 binary inputs
- 2 current (4-20 mA) outputs
- 4 relay and 2 open collector outputs
- Open pickup sensor
- 4 parameter sets each with 6 set-points for almost limitless applications
- x1, x2 or x4 repeater outputs
- Fully isolated I/O
- High accuracy speed measurement: 0.002% for set-points and 0.1% for analog signals
- Programmable logical, diagnostic and measurement functions
- Fast 8 ms reaction time on overspeed
- Compatible with passive and active mag pickups
- Plug in terminals
- 18-36 VDC or 90-264 VAC power supply
- Ethernet interface - configuration via Windows® software
- 0Hz - 50kHz operating frequency range



SWT-2000.r1.012609

**DYNALCO**

CRANE

A division of Crane Co.

**MOD-TRONIC**  
INSTRUMENTS LIMITED

1 Delta Park Blvd, #12 Brampton, ON L6T 5G1  
Tel 905-457-6322 or 1-800-794-5883  
Fax 905-457-4716 or 1-800-830-7122  
sales@mod-tronic.com www.mod-tronic.com