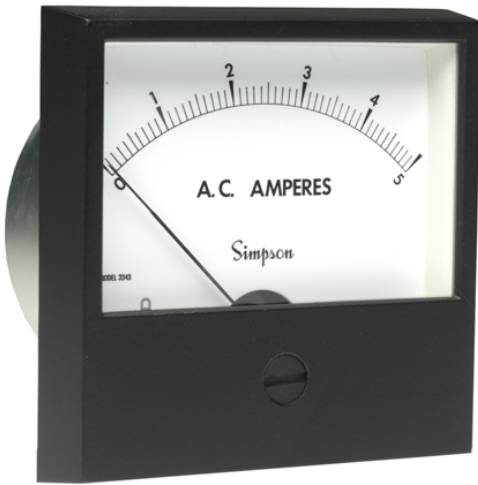


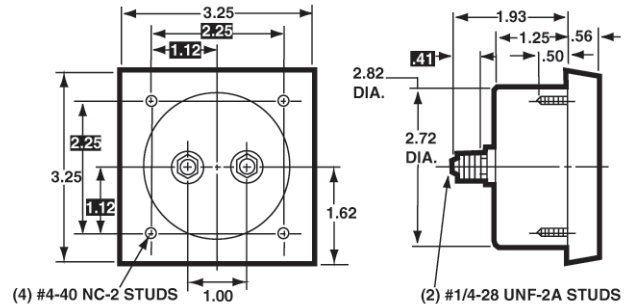


# Rugged Seal Style Analog Panel Meters



## Dimensions

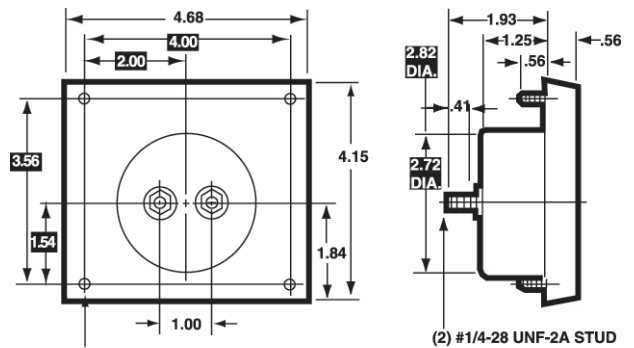
3 - 1/2"-Model 3323, 3343



MTG. HOLES- .140 DIA. DRILL THRU

- **Rugged metal case for rigorous environments**
- **Splash-proof and sealed against moisture, dust and dirt**
- **Calibration not affected by steel panel mounting**
- **O-Ring sealed zero adjust and electrical terminals**

4 - 1/2"-Model 3324, 3344



(4) #6-32 NC-2 STUDS  
MTG. HOLES- .166 DIA. DRILL

## Specifications

<b>Accuracy:</b>	±3% F.S. AC Rectified, ±2% for DC or Annular
<b>Movement:</b>	Annular rectifier, self-shielding
<b>Suspension:</b>	Pivot and jewel
<b>Tracking:</b>	±3%
<b>Shielding:</b>	Calibration is unaffected by magnetic panel mounting.
<b>Response Time:</b>	1.5 seconds maximum
<b>Overload (1 sec.):</b>	10 times F.S.
<b>Overload (Continuous):</b>	1.5 times F.S.
<b>Repeatability:</b>	2%
<b>Dial:</b>	Sharp clear scale. Each dial arc is calibrated to track the specific type of movement used.
<b>Case:</b>	Metal shielded cover with black matte finish
<b>Resistance:</b>	±15% of meter impedance
<b>Operating Temperature:</b>	-4°F to +149°F (-20°C to +65°C)
<b>Pointer:</b>	Knife-edge with black matte finish
<b>Scale Length:</b>	Models 3323, 3343: 2.74" (70.0mm) Models 3324, 3344: 4.05" (103.0mm)
<b>Net Weight:</b>	Models 3323, 3343: 12oz (0.340kg) Models 3324, 3344: 17oz (0.48kg)



# Rugged Seal Style Analog Panel Meters



## Ordering Information

### AC Microammeter Rectifier Type, Self-Shielding Movement

Range	Approx. Impedance (ohms) @ 60Hz	Model/Size and Catalog Number	
		3-1/2" Model 3343	4-1/2" Model 3344
0-100	4,000	<>	16185

<> Available on special order.

### AC Milliammeter Rectifier Type, Self-Shielding Movement

Range	Approx. Impedance (ohms) @ 60Hz	Model/Size and Catalog Number	
		3-1/2" Model 3343	4-1/2" Model 3344
0-1	600	16085	16180

### AC Ammeter Rectifier Type, Self-Shielding Movement

Range	Approx. Impedance (ohms) @ 60Hz	Model/Size and Catalog Number	
		3-1/2" Model 3343	4-1/2" Model 3344
0-5	0.5 VA max.*	16080	16175

\* Internal transformer burden.

### AC Voltmeters Rectifier Type, Self-Shielding Movement

Range	Approx. Impedance (ohms) @ 60Hz	Model/Size and Catalog Number	
		3-1/2" Model 3343	4-1/2" Model 3344
0-150	1000 ohms per volt	16065	16160
0-300		16070	16165

### DC Microammeters, Self-Shielding Movement

Range	Approx. Impedance (ohms)	Model/Size and Catalog Number	
		3-1/2" Model 3323	4-1/2" Model 3324
0-50	3,000	16055	16150
0-100	1450	16060	16155

### DC Milliammeters, Self-Shielding Movement

Range	Approx. Impedance (ohms)	Model/Size and Catalog Number	
		3-1/2" Model 3323	4-1/2" Model 3324
0-1	80	16045	16140

### DC Ammeters, Self-Shielding Movement

Range	Approx. Impedance (ohms)	Model/Size and Catalog Number	
		3-1/2" Model 3323	4-1/2" Model 3324
0-5	Internal Shunt 75mV max.	16035	<>
0-10		16040	<>

### DC Millivoltmeters, Self-Shielding Movement

Range	Approx. Impedance (Ohms)	Model/Size and Catalog Number	
		3-1/2" Model 3323	4-1/2" Model 3324
0-50	10	16062	16157

### DC Voltmeters, Self-Shielding Movement

Range	Approx. Impedance (Ohms)	Model/Size and Catalog Number	
		3-1/2" Model 3323	4-1/2" Model 3324
0-1.5	1000 ohms per volt	16000	<>
0-10		16005	<>
0-15		16010	<>
0-25		16015	<>
0-50		16020	<>
0-100		16025	<>
0-500		16030	<>

<> Available on special order.