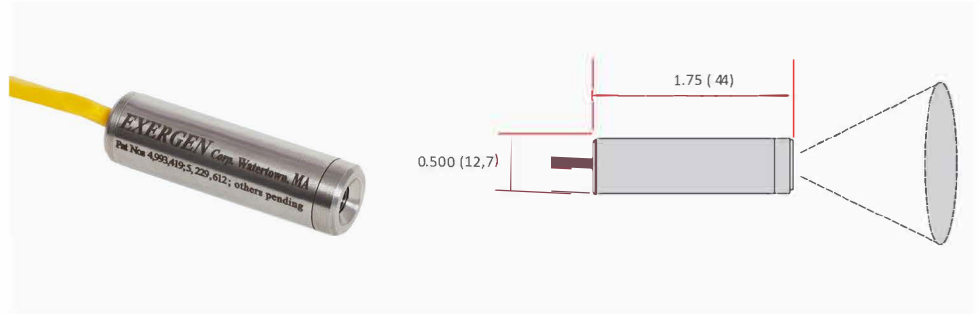


IRt/c Base Model

Product Overview

The IRt/c features:

- Infrared Thermocouple IRt/c
- Non-contact
- Self Powered
- Intrinsically Safe
- Repeatability 0.02°F (0.01°C)
- Interchangeability ±1%
- Resolution approx. 0.0001°C
- Small Size



Technical Data

Sensing Range	-50 to 1200°F (-45 to 650°C)
Ambient Temperature Range	0 to 212°F (-18 to 100°C)
Optimum Range Selections	Eight models per t/c type (see Temperature Selection Guide)
Field-of-View	1:1 (60°) approximately
Minimum Spot size	0.3" (8 mm)
Spectral Response	6.5 to 14 μ
Output Impedance	3 Kohms approx

Cable	Twisted shielded pair of base thermocouple material (J,K,etc.), 3 ft (.9 m) std length, Teflon sheathed, rated to 392°F (200°C) continuous service.
Dimensions	1.75" x 0.50" Dia. (44 x 12.7 mm)
Weight	1.4 oz (40 g) with cable
Housing	Stainless steel, hermetically sealed, exceeds NEMA 4,4x; IP65,67, intrinsically safe, cable shield grounded to housing and electrically isolated from signal.

Calibration

Ordering information IRt/c -* (Thermocouple Type) - (Pre-Calibrated Temperature Range). Thermocouple type J,K,E,T over temperature range specified.

