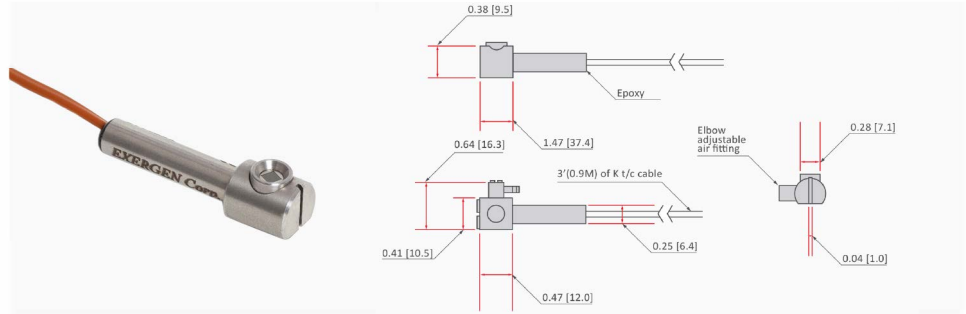


Micro IRt/c.4SV Base Model

Product Overview

The Micro IRt/c.4SV features:

- Infrared Thermocouple IRt/c
- Non-contact
- Self Powered
- Intrinsically Safe
- Repeatability 0.02°F (0.01°C)
- Interchangeability ±1%
- Resolution approx. 0.0003°C
- Small size



Technical Data

Sensing Range	-45 °C to 625 °C (2% linear to match a K t/c from 212 -240 °C)
Ambient Temperature Range	-20 °C to 100 °C (with air off), -20 °C to 120 °C (with air on)
Field of View of Sensing Element	approximately 4:1 (14°)
Minimum Spot size	3 mm (.1")
Dominant Spectral Response	3 to 20 μm
Output Sensor	K type thermocouple from 414 - 464 °F (212 - 240 °C), mV output tables available and recommendations for programmable devices
Impedance	~ 40 kohms
Emissivity (e)	.90

Time Constant	60 milliseconds
Accuracy (Interchangeability)	1% to factory calibration conditions
Dimensions	See diagrams above
Housing	Stainless Steel 303
Cable Assembly	3 feet (0.9 meters) of unshielded, duplex insulated, type K, 24 AWG, PFA jacket, rated to 500 oF (260 oC) (Shielded cable also available)
Environmental Ratings	Hermetically sealed, exceeds NEMA 4, 4X, IP67
Weight	~ 60 grams (2 oz.)

Calibration

Ordering information **Micro IRt/c.4SV -K-** (Thermocouple Type) - (Pre-Calibrated Temperature Range).

