

AcuSplitCT Series 5/20/30/40/50/60A Hinged Split Core Current Transformers

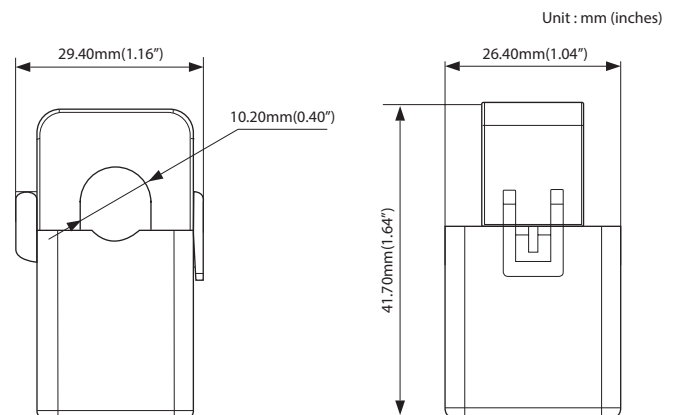
The Accuenergy hinged split core CTs are compact and low-cost current transformers with high accuracy. Designed with a single-click installation mechanism, the hinged CTs are ideal for quick and easy installation without disconnecting cables. The compact size is perfect for limited-space panels.



SPECIFICATIONS

Rated Input & Output	333mV@ 5/20/30/40/50/60A AC
Accuracy	0.5%
Frequency Range	50-1KHz
Window Size	0.4 Inch
Case Material	Black Nylon
Rated Voltage	600 Vac, Category III
Note: Do not use 600V class CT in application with voltage greater than 600V L-L	
Operating Temperature	-15°C - 60°C

DIMENSIONS



ORDERING INFORMATION

Ordering Number:	AcuCT-	H040	-	Rated Input	:	333
Ordering Example:	AcuCT-	H040	-	20	:	333
				5: 5A		
				20: 20A		
				30: 30A		
				40: 40A		
				50: 50A		
				60: 60A		

AcuSplitCT Series 50/100/150A

Hinged Split Core Current Transformers

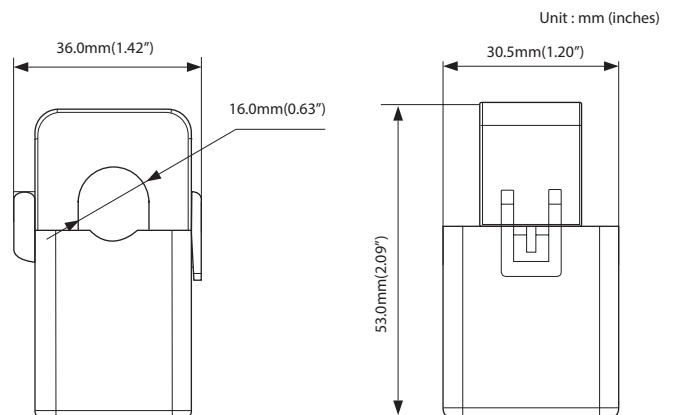
The Accuenergy hinged split core CTs are compact and low-cost current transformers with high accuracy. Designed with a single-click installation mechanism, the hinged CTs are ideal for quick and easy installation without disconnecting cables. The compact size is perfect for limited-space panels.



SPECIFICATIONS

Rated Input & Output	333mV@ 50/100/150A AC
Accuracy	0.5%
Frequency Range	50-1KHz
Window Size	1.0 Inch
Case Material	Black Nylon
Rated Voltage	600 Vac, Category III
Note: Do not use 600V class CT in application with voltage greater than 600V L-L	
Operating Temperature	-15°C - 60°C
Certifications	UR & CE approved, RoHS compliant

DIMENSIONS



ORDERING INFORMATION

Ordering Number:	Rated Input	
AcuCT- H063 -	333	
Ordering Example: AcuCT- H063 -	50	: 333
	50: 50A	
	100: 100A	
	150: 150A	

AcuSplitCT Series 100/120/200/250A

Hinged Split Core Current Transformers

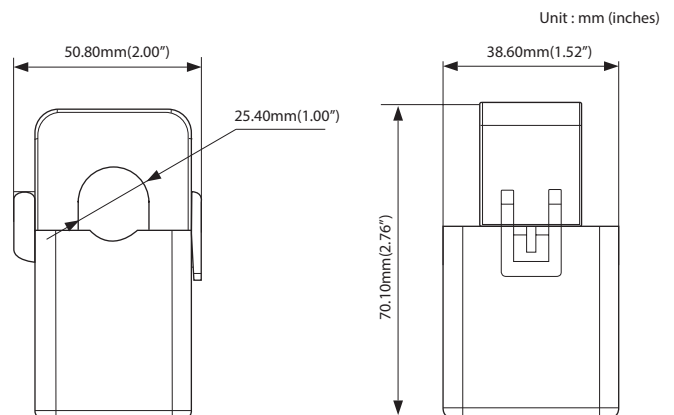
The Accuenergy hinged split core CTs are compact and low-cost current transformers with high accuracy. Designed with a single-click installation mechanism, the hinged CTs are ideal for quick and easy installation without disconnecting cables. The compact size is perfect for limited-space panels.



SPECIFICATIONS

Rated Input & Output	333mV@ 100/120/200/250A AC
Accuracy	0.5%
Frequency Range	50-1KHz
Window Size	1.0 Inch
Case Material	Black Nylon
Rated Voltage	600 Vac, Category III
Note: Do not use 600V class CT in application with voltage greater than 600V L-L	
Operating Temperature	-15°C - 60°C
Certifications	UR & CE approved, RoHS compliant

DIMENSIONS



ORDERING INFORMATION

Ordering Number:	Rated Input	
AcuCT- H100 -	333	
Ordering Example: AcuCT- H100 -	120	: 333
	100: 100A	
	120: 120A	
	200: 200A	
	250: 250A	

AcuSplitCT Series 200/400/600A

Hinged Split Core Current Transformers

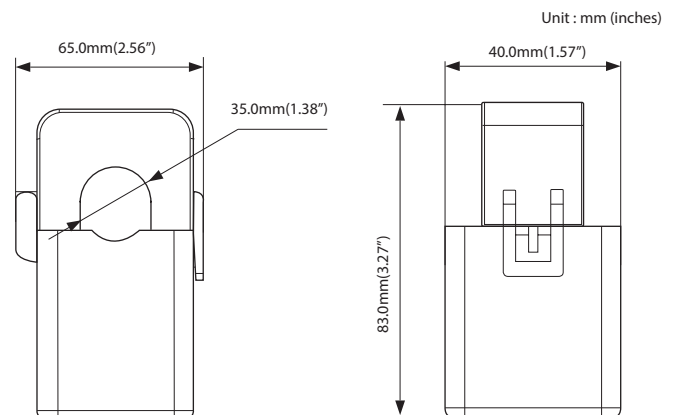
The Accuenergy hinged split core CTs are compact and low-cost current transformers with high accuracy. Designed with a single-click installation mechanism, the hinged CTs are ideal for quick and easy installation without disconnecting cables. The compact size is perfect for limited-space panels.



SPECIFICATIONS

Rated Input & Output	333mV@ 200/400/600A AC
Accuracy	0.5%
Frequency Range	50-1KHz
Window Size	1.0 Inch
Case Material	Black Nylon
Rated Voltage	600 Vac, Category III
Note: Do not use 600V class CT in application with voltage greater than 600V L-L	
Operating Temperature	-15°C - 60°C
Certifications	UR & CE approved, RoHS compliant

DIMENSIONS



ORDERING INFORMATION

Ordering Number:	Rated Input	
AcuCT- H138 -	333	
Ordering Example: AcuCT- H138 -	200	: 333
	200: 200A	
	400: 400A	
	600: 600A	