



DLP (+/- 0.25% Accuracy)

Differential Low Pressure (Uni/Bi-Directional)

The DLP Series is based on a piezoresistive, silicon sensing element which senses Differential Pressure and provides an analog output. The hinged cover on the DLP can be easily opened using the integrated locking tab on the side of the enclosure. This allows for easy access to the zero function and field selectable ranges and outputs. The DLP Series also includes an optional, five digit LCD for installation and monitoring support. Field selectable analog outputs include 0-5 and 0-10 VDC, or 4-20 mA which correlate to a specific uni or bi-directional pressure range from 0-0.1" up to 0-40" of water column, depending on your model selection. Each unit must be ordered with the specific pressure range needed to meet desired application requirements. Options include a Pitot Tube or Din Rail Clip.

Applications: Building and Duct Static Pressure, Filter Monitoring, Air Flow Measurement, and Process Control

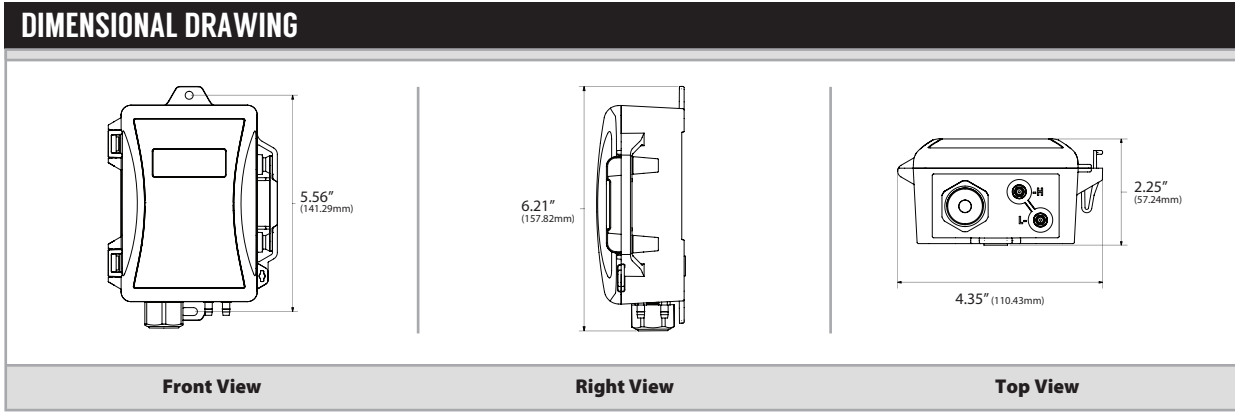
The DLP Series is covered by ACI's Five (5) Year Limited Warranty. The warranty can be found in the front of ACI's Sensors & Transmitters catalog, as well as on ACI's website, www.workaci.com.

PRODUCT SPECIFICATIONS

| | |
|---|---|
| Supply Voltage: | 4-20 mA Output: 16-36 VDC (250 Ohm Load max.) / 22-36 VDC (500 Ohm Load max.) / 24 VAC (+/-10%) 50/60 Hz 0-5 VDC / 0-10 VDC Output: 16-36 VDC / 24 VAC (+/- 10%) 50/60 Hz |
| Supply Current: | 4-20 mA Output: 24 mA minimum (0.83 VA) 0-5 VDC / 0-10 VDC Output: 6 mA maximum (0.18 VA) |
| Output Signals: | Current Output: 4-20 mA, 2-Wire Loop Powered (Default); Current limited to 21.5 mA maximum Voltage Signals: 0-5 VDC / 0-10 VDC Field Selectable, 3-Wire; Output limited @ 5.25 & 10.5 VDC |
| Response Time (0-100% FSO): | 4 seconds |
| Output Update Rate: | 0.5 second intervals |
| Pressure Ranges: | Specify Single Range (See "Ordering" on Reverse Side) |
| Accuracy 1: | +/- 0.25" to 40" wc: +/-0.25% FSO +/- 0.1" (25 Pa): +/-0.50% FSO |
| Zero Function: | Pushbutton Zero Function |
| Thermal Effects 2: | +/- 0.067% FSO / °F (0.12% FSO / °C) |
| Proof Pressure: | ≤ 1" wc (250 Pa): 270 inWC (67.2 kPa) for 1 inWC (249.8 Pa) range ≥ 1" wc (250 Pa) ≤ 10" wc (2500 Pa): 350 inWC (87.12 kPa) for 10 inWC (2490.8 Pa) range ≥ 10" (2500 Pa) ≤ 40" wc (10K Pa): 562 inWC (140 kPa) for 40 inWC (9963.6 Pa) range |
| Burst Pressure: | ≤ 1" wc (250 Pa): 415 inWC (103.3 kPa) for 1 inWC (249.8 Pa) range ≥ 1" wc (250 Pa) ≤ 10" wc (2500 Pa): 550 inWC (136.9 kPa) for 10 inWC (2490.8 Pa) range ≥ 10" *2500 Pa) ≤ 40" wc (10K Pa): 1004.7 inWC (250 kPa) for 40 inWC (9963.6 Pa) range |
| Operating Temperature Range: | -4 to 185°F (-20 to 85°C) |
| Compensated Temperature Range: | 32 to 122°F (0 to 50°C) |
| Storage Temperature Range: | -22 to 185°F (-30 to 85°C) |
| Operating Humidity Range: | 10 to 95% RH, non-condensing |
| Media Types: | Intended for use with non-corrosive, non-ionic gases, such as air and other dry gases |
| Enclosure Material Flammability Rating: | Flame Retardant Polycarbonate; UL94-5V |
| Wiring Connections: | Finger Pushbutton Spring Terminal Blocks; accepts 16-24 AWG wires |
| Conduit Knockouts: | Watertight Cordgrip Installed (1/2" NPT Conduit fittings accepted when Cordgrip removed) |
| Pressure Fitting Material: | Nickel Plated Brass or Stainless Steel |
| Tubing Size Accepted: | 1/4" O.D. x 0.170" I.D. Poly Tubing |
| NIST Certification: | 3 Point NIST Test Points: 10%, 50%, & 90% FSO 5 Point NIST Test Points: 10%, 30%, 50%, 70%, & 90% FSO |
| Approvals: | CE, Reach, RoHS2, WEEE |
| Product Weight (No Pitot Tube / Din Rail): | Non-LCD Display Version: 0.53 lbs (0.240 kg) LCD Display Version: 0.58 lbs (0.263 kg) |
| Product Weight (With Pitot Tube & Din Rail): | Non-LCD Display Version: 0.80 lbs (0.363 kg) LCD Display Version: 0.85 lbs (0.385 kg) |

Note¹: Accuracy includes linearity, hysteresis & repeatability @ 71°F (21.5°C) | **Note²:** Shift is relative to 71°F (21.5°C)





| CUSTOM ORDERING | | Model # Example: A/DLP 001 W B D B 1 A 3P S | | | | | | | | | | MODEL # |
|---|--|---|---|---|---|---|---|---|---|---|---|---------|
| | | A | B | C | D | E | F | G | H | I | J | A/DLP |
| A. Sensor Series <i>No Selection Required</i> | A/DLP | | | | | | | | | | | A/DLP |
| B. Differential Pressure Range <i>Select One (1)</i> | D10 (0.10)*** 2D5 (2.5) 015 (15) 050 (50)* 500 (500)* 2K5 (2,500)* D25 (0.25) 003 (3) 020 (20) 100 (100)* 750 (750)* 3K2 (3,200)* D50 (0.50) 004 (4) 025 (25)** 125 (125)* 1K0 (1,000)* 5K0 (5,000)* 001 (1) 005 (5) 030 (30) 250 (250)* 1K2 (1,250)* 7K5 (7,500)* 002 (2) 010 (10) 040 (40) 300 (300)* 1K6 (1,600)* 10K (10,000)* | | | | | | | | | | | |
| C. Units <i>Select One (1)</i> | W = Water Column P = Pascal | | | | | | | | | | | B |
| D. Bi/Uni Directional <i>Select One (1)</i> | U = Uni-Directional (ie. 0 to 1" wc) B = Bi-Directional (ie. -1 to +1" wc) | | | | | | | | | | | |
| E. Display <i>Select One (1)</i> | N = No LCD Display D = With LCD Display | | | | | | | | | | | |
| F. Accuracy <i>No Selection Required</i> | B = +/- 0.25% | | | | | | | | | | | |
| G. Pitot Tube/Din Rail <i>Select One (1)</i> | 0 = No Pitot Tube/Din Rail 1 = Pitot Tube 2 = Din Rail 3 = Pitot Tube & Din Rail | | | | | | | | | | | |
| H. Analog Output <i>Select One (1)</i> | A = 4 to 20 mA B = 0-5 VDC C = 0-10 VDC | | | | | | | | | | | |
| I. NIST <i>Select One (1)</i> | 0P = None 3P = 3 Point NIST 5P = 5 Point NIST | | | | | | | | | | | |
| J. Enclosure <i>No Selection Required</i> | S = Standard Enclosure | | | | | | | | | | | S |

Note*: Pascal Ranges Only | Note**: "025" range is available in either wc or Pa ranges | Note***: 0.10" WC and 025 Pa accuracy is +/- 0.50% only

| ACCESSORIES ORDERING | | PITOT TUBES | | Model # Example: A/PT 5.2 -OR- 130141 | |
|----------------------|--------|---|------------------|---------------------------------------|--|
| Model # | Item # | Description | Insertion Length | Number of Sensing Points | |
| PT 3" | 130140 | 3.0" Pitot Tube with Foam Gasket | 3.0" (7.6 cm) | 1 Set | |
| PT 5.2" | 130141 | 5.2" Pitot Tube with Foam Gasket | 5.2" (13.2 cm) | 2 Sets | |
| PT 7.5" | 130142 | 7.5" Pitot Tube with Foam Gasket | 7.5" (19.1 cm) | 3 Sets | |
| PT 9.7" | 130143 | 9.7" Pitot Tube with Foam Gasket | 9.7" (24.6 cm) | 4 Sets | |
| SPT-3.5" | 102957 | 3.5" Aluminum Duct Static (Flat Tip) Pitot Tube | 3.5" (88.9 mm) | 1 Point | |
| SPT-8.0" | 108976 | 8.0" Aluminum Duct Static (Flat Tip) Pitot Tube | 8.0" (203.2 mm) | 1 Point | |
| VPT | 103010 | 4.0" Aluminum Velocity (Pointed Tip) Pitot Tube | 4" (101.6 mm) | 1 Point | |
| VPT-8" | 125008 | 8.0" Aluminum Velocity (Pointed Tip) Pitot Tube | 8" (203.2 mm) | 1 Point | |

| ACCESSORIES ORDERING | | PICK UP PORTS | | Model # Example: A/SP-PUP -OR- 125585 | |
|----------------------|--------|--|-------------------------|---------------------------------------|--|
| Model # | Item # | Description | Color | | |
| A/SP-PUP | 125585 | Pickup Port, Wall Mounted Stainless Plate | Brushed Stainless Steel | | |
| A/R-PUP | 125584 | Pickup Port, Wall Mounted Plastic Enclosure | Beige | | |
| A/R2-PUP | 132711 | Pickup Port, Wall Mounted Plastic Enclosure | White | | |
| A/O-PUP-H | 132892 | Pickup Port, Horizontal Mount, Outdoor Weatherproof Euro Enclosure | Light Gray | | |
| A/O-PUP-V | 132891 | Pickup Port, Vertical Mount, Outdoor Weatherproof Euro Enclosure | Light Gray | | |

