



DLP (+/- 0.50% Accuracy)

Differential Low Pressure (Uni/Bi-Directional)

The DLP Series is based on a piezoresistive, silicon sensing element which senses Differential Pressure and provides an analog output. The hinged cover on the DLP can be easily opened using the integrated locking tab on the side of the enclosure. This allows for easy access to the zero function and field selectable ranges and outputs. The DLP Series also includes an optional, five digit LCD for installation and monitoring support. Field selectable analog outputs include 0-5 and 0-10 VDC, or 4-20 mA which correlate to a uni or bi-directional pressure range from 0-0.1" up to 0-40" of water column, depending on your model selection. Each unit has up to 8 field selectable, uni or bi-directional ranges. Options include a Pitot Tube or Din Rail Clip.

Applications: Building and Duct Static Pressure, Filter Monitoring, Air Flow Measurement, and Process Control

The DLP Series is covered by ACI's Five (5) Year Limited Warranty. The warranty can be found in the front of ACI's Sensors & Transmitters catalog, as well as on ACI's website, www.workaci.com.

PRODUCT SPECIFICATIONS

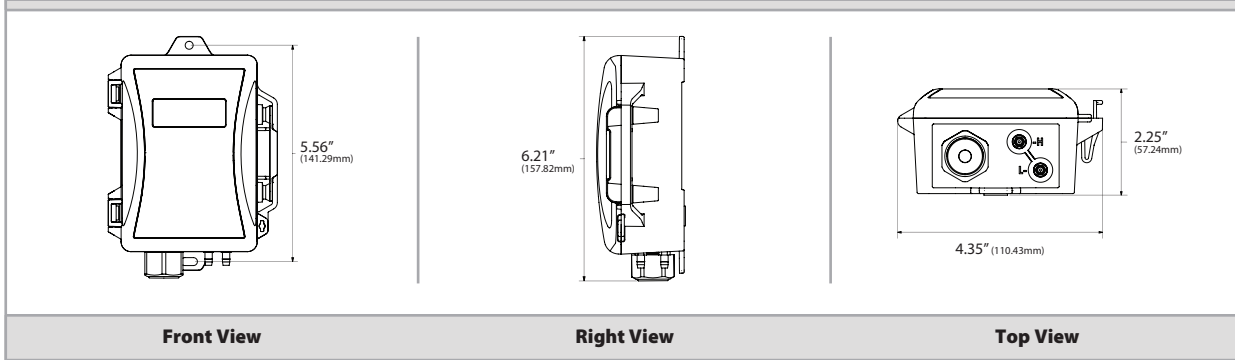
Supply Voltage:	4-20 mA Output: 16-36 VDC (250 Ohm Load max.) / 22-36 VDC (500 Ohm Load max.) / 24 VAC(+/-10%) 50/60 Hz
	0-5 VDC / 0-10 VDC Output: 16-36 VDC / 24 VAC (+/- 10%) 50/60 Hz
Supply Current:	4-20 mA Output: 24 mA minimum (0.83 VA) 0-5 VDC / 0-10 VDC Output: 6 mA maximum (0.18 VA)
Output Signals:	Current Output: 4-20 mA, 2-Wire Loop Powered (Default); Current limited to 21.5 mA maximum Voltage Signals: 0-5 VDC / 0-10 VDC Field Selectable, 3-Wire; Output limited @ 5.25 & 10.5 VDC
Response Time (0-100% FSO):	4 seconds
Output Update Rate:	0.5 second intervals
Pressure Ranges:	See Product Ordering Grid (next page); Field Selectable Uni and Bi-Directional Ranges
Accuracy 1:	+/- 0.50% FSO
Zero Function:	Pushbutton Zero Function
Thermal Effects 2:	+/- 0.067% FSO / °F (0.12% FSO / °C)
Proof Pressure Burst Pressure:	A/DLP-001: Proof: 270 inWC (67.2 kPa) Burst: 415 inWC (103.3 kPa) for 1 inWC (249.8 Pa) A/DLP-010: Proof: 350 inWC (87.12 kPa) Burst: 550 inWC (136.9 kPa) for 10 inWC (2490.8 Pa) A/DLP-040: Proof: 562 inWC (140 kPa) Burst: 1004.7 inWC (250 kPa) for 40 inWC (9963.6 Pa)
Operating Temperature Range:	-4 to 185°F (-20 to 85°C)
Compensated Temperature Range:	32 to 122°F (0 to 50°C)
Storage Temperature Range:	-22 to 185°F (-30 to 85°C)
Operating Humidity Range:	10 to 95% RH, non-condensing
Media Types:	Intended for use with non-corrosive, non-ionic gases, such as air and other dry gases
Enclosure Material Flammability Rating:	Flame Retardant Polycarbonate; UL94-5VA
Wiring Connections:	Finger Pushbutton (Spring) Terminal Blocks; accepts 16-24 AWG wires
Conduit Knockouts:	Watertight Cordgrip Installed (1/2" NPT Conduit fittings accepted when Cordgrip removed)
Pressure Fitting Material:	Nickel Plated Brass or Stainless Steel
Tubing Size Accepted:	1/4" O.D. x 0.170" I.D. Poly Tubing
Approvals:	CE, Reach, RoHS2, WEEE
Product Weight (No Pitot Tube / Din Rail):	Non-LCD Display Version: 0.53 lbs (0.240 kg) LCD Display Version: 0.58 lbs (0.263 kg)
Product Weight (With Pitot Tube & Din Rail):	Non-LCD Display Version: 0.80 lbs (0.363 kg) LCD Display Version: 0.85 lbs (0.385 kg)

Note¹: Accuracy includes linearity, hysteresis & repeatability @ 71°F (21.5°C) | **Note²:** Shift is relative to 71°F (21.5°C)





DIMENSIONAL DRAWING



STANDARD ORDERING

Model # Example: **A** | **DLP** | **001** | **W** | **U** | **N** | **A** | **0** -OR- **140769**

Model #	Item #	Ranges (Default in Bold)	Outputs (Default in Bold)	LCD*	PT*	DRC*
A/DLP-001-W-U-N-A-0	140769	0-0.1", 0.2", 0.5", 1" ±0.1", ±0.2", ±0.5", ±1"	4-20 mA , 0-5 VDC, 0-10 VDC			
A/DLP-001-W-U-D-A-0	140773	0-0.1", 0.2", 0.5", 1" ±0.1", ±0.2", ±0.5", ±1"	4-20 mA , 0-5 VDC, 0-10 VDC	●		
A/DLP-010-W-U-N-A-0	140774	0-1", 2", 5", 10" ±1", ±2", ±5", ±10"	4-20 mA , 0-5 VDC, 0-10 VDC			
A/DLP-010-W-U-D-A-0	140776	0-1", 2", 5", 10" ±1", ±2", ±5", ±10"	4-20 mA , 0-5 VDC, 0-10 VDC	●		
A/DLP-040-W-U-N-A-0	140777	0-10", 20", 30", 40" ±10", ±20", ±30", ±40"	4-20 mA , 0-5 VDC, 0-10 VDC			
A/DLP-040-W-U-D-A-0	140778	0-10", 20", 30", 40" ±10", ±20", ±30", ±40"	4-20 mA , 0-5 VDC, 0-10 VDC	●		
A/DLP-001-W-U-N-A-3	141072	0-0.1", 0.2", 0.5", 1" ±0.1", ±0.2", ±0.5", ±1"	4-20 mA , 0-5 VDC, 0-10 VDC		●	●
A/DLP-001-W-U-D-A-3	141073	0-0.1", 0.2", 0.5", 1" ±0.1", ±0.2", ±0.5", ±1"	4-20 mA , 0-5 VDC, 0-10 VDC	●	●	●
A/DLP-010-W-U-N-A-3	141074	0-1", 2", 5", 10" ±1", ±2", ±5", ±10"	4-20 mA , 0-5 VDC, 0-10 VDC		●	●
A/DLP-010-W-U-D-A-3	141075	0-1", 2", 5", 10" ±1", ±2", ±5", ±10"	4-20 mA , 0-5 VDC, 0-10 VDC	●	●	●
A/DLP-040-W-U-N-A-3	141076	0-10", 20", 30", 40" ±10", ±20", ±30", ±40"	4-20 mA , 0-5 VDC, 0-10 VDC		●	●
A/DLP-040-W-U-D-A-3	141077	0-10", 20", 30", 40" ±10", ±20", ±30", ±40"	4-20 mA , 0-5 VDC, 0-10 VDC	●	●	●

LCD* (Display Included) | PT* (Pitot Tube Included) | DRC* (Din Rail Clip Included)

ACCESSORIES ORDERING

DLP

Model # Example: **A/DRC-DLP** -OR- **140999**

Model #	Item #	Description
A/PT-DLP	140998	Pitot Tube, DLP Duct Static Size: 7" (6.75" Insertion) Material: Aluminum
A/DRC-DLP	140999	Din Rail Clip, DLP Size: 35 mm

Note*: Other compatible products include ACI's Pick up Port (A/PUP) Series, Medical Grade Tubing Kit (A/10'), Transformer Series (A/LE) and DC Power Supplies (A/PS1.5 or A/LPR)

ACCESSORIES ORDERING

PITOT TUBES

Model # Example: **A/PT 5.2** -OR- **130141**

Model #	Item #	Description	Insertion Length	Number of Sensing Points
PT 3"	130140	3.0" Pitot Tube with Foam Gasket	3.0" (7.6 cm)	1 Set
PT 5.2"	130141	5.2" Pitot Tube with Foam Gasket	5.2" (13.2 cm)	2 Sets
PT 7.5"	130142	7.5" Pitot Tube with Foam Gasket	7.5" (19.1 cm)	3 Sets
PT 9.7"	130143	9.7" Pitot Tube with Foam Gasket	9.7" (24.6 cm)	4 Sets
SPT-3.5"	102957	3.5" Aluminum Duct Static (Flat Tip) Pitot Tube	3.5" (88.9 mm)	1 Point
SPT-8.0"	108976	8.0" Aluminum Duct Static (Flat Tip) Pitot Tube	8.0" (203.2 mm)	1 Point
VPT	103010	4.0" Aluminum Velocity (Pointed Tip) Pitot Tube	4" (101.6 mm)	1 Point
VPT-8"	125008	8.0" Aluminum Velocity (Pointed Tip) Pitot Tube	8" (203.2 mm)	1 Point

ACCESSORIES ORDERING

PICK UP PORTS

Model # Example: **A/SP-PUP** -OR- **125585**

Model #	Item #	Description	Color
A/SP-PUP	125585	Pickup Port, Wall Mounted Stainless Plate	Brushed Stainless Steel
A/R-PUP	125584	Pickup Port, Wall Mounted Plastic Enclosure	Beige
A/R2-PUP	132711	Pickup Port, Wall Mounted Plastic Enclosure	White
A/O-PUP-H	132892	Pickup Port, Horizontal Mount, Outdoor Weatherproof Euro Enclosure	Light Gray
A/O-PUP-V	132891	Pickup Port, Vertical Mount, Outdoor Weatherproof Euro Enclosure	Light Gray

