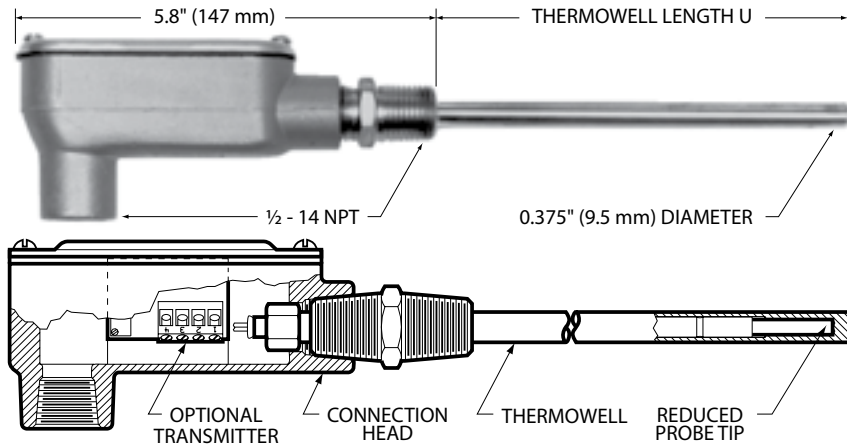


Fluid Immersion Temperature Sensors

Measure fluid streams



Fluid immersion sensors

S479PD	Model number from table
Y	Number of leadwires: Y = 2 leads Z = 3 leads
60	Thermowell length U: Specify in 0.1" increments (Ex: 60 = 60 inches) 20, 30, 60 Contact Mod-tronic for other lengths
S479PDY60 = Sample part number	

Overview

Immersion sensors include stainless steel thermowells for insertion directly into fluid streams. The sensing probe may be removed without breaking the fluid seal. Brass thermowells are also available.

Specifications

- Temperature range:** -45.5 to 260°C (-50 to 500°F).
- Leadwires:** AWG 22, PTFE insulated, 4" (100 mm) long.
- Thermowell pressure rating:** 1880 psi (130 bar).
- Moisture resistance:** Meets MIL-STD-202, Method 104, Test Condition B.

Note: These sensors are intended for use in slow-moving fluid streams. For applications where fluid velocity exceeds 3 ft/s, you may need to use a thermowell assembly as an alternative. Contact Mod-tronic Sales and Customer Service for additional information.

Model numbers

	Element	TCR $\Omega/\Omega/^\circ\text{C}$	Model number
Platinum	100 $\Omega \pm 0.1\%$ at 0°C	0.00391	S478PB
Platinum	100 $\Omega \pm 0.12\%$ at 0°C (Meets EN60751, Class B)	0.00385	S479PD
Platinum	1000 $\Omega \pm 0.12\%$ at 0°C	0.00385	S480PF
Platinum	1000 $\Omega \pm 0.12\%$ at 0°C	0.00375	S490PW*
Nickel-iron	1000 $\Omega \pm 0.12\%$ at 70°F	0.00527	S476FB*
Nickel-iron	2000 $\Omega \pm 0.12\%$ at 70°F	0.00527	S477FC*
HW	3000 Ω at -30.2°C	0.00262	S100061PX*

* Maximum temperature is 135°C/275°F

Replacement stainless steel thermowells

TW488	Model number
U	
60	Thermowell length U: Specify in 0.1" increments (Ex: 60 = 60 inches) Standard thermowell lengths are 3" and 6"; contact Mod-tronic for other lengths
TW488U60 = Sample part number	

To order with transmitter, add

TT111	Transmitter Models: TT111: Fixed Range (2 leads) TT211: Fixed Range (2 leads) TT321: Fixed Range (3 leads) <i>Other transmitter options available.</i>
A	Temperature Range Code: A = 20°F to 120°F (-6.7°C to 48.9°C) <i>See pages 42-43 or contact Mod-tronic for a complete list of available temperature codes.</i>
1	Calibration: 1 = Nominal Calibration 2 = Match Calibrated, 0.75% Total System Accuracy 3 = Match Calibrated, 0.5% Total System Accuracy 4 = Match Calibrated, 0.2% or 1C Total System Accuracy
TT111A1 = Sample part number addition	