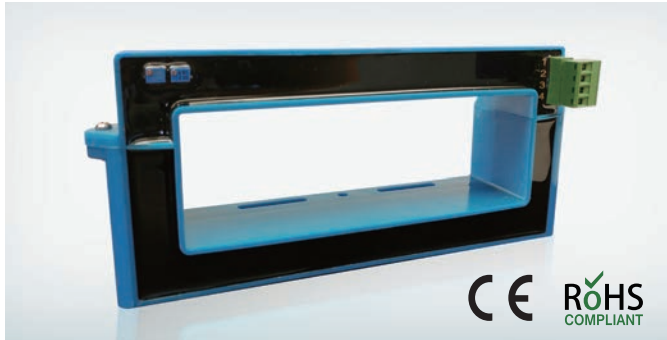


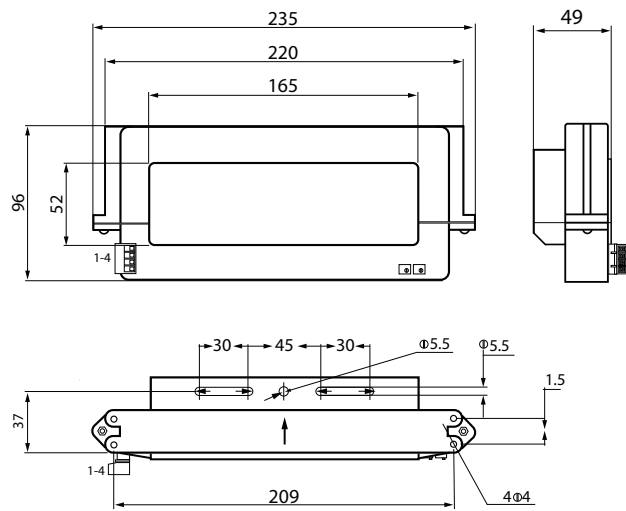
Split-Core DC Current Hall Effect Sensor Rectangle Window

Accuenergy's HAB Split-core current hall effect sensor measures DC current up to 5000A with a 165mm by 55mm rectangular window. The output signal is optional at either 4-20mA or 0-5V. The split-core sensors are ideal for retro-fit installation on existing electrical wiring without any disconnection.



DIMENSIONS

Dimensions(mm)



SPECIFICATIONS

Rated input	1000A, 2000A, 3000A, 4000A, 5000A
Rated Output	4-20mA or 0-5V
Accuracy	0.5%
Bidirectional current input is optional	
Power Supply	+/-15V(AcuDC 240 series multifunction DC Meter provides power supply from module directly without separate sourcing of power)
Opening Size	165mm by 55mm

ORDERING INFORMATION

	Model	Current Input Rating	Output Option
Ordering Number			
Ordering Example	HAB 16555	- 1000	- A2
	HAB 16555	1000: 1000A	A2: 4-20mA
		2000: 2000A	A3: 0-5V
		3000: 3000A	
		4000: 4000A	
		5000: 5000A	