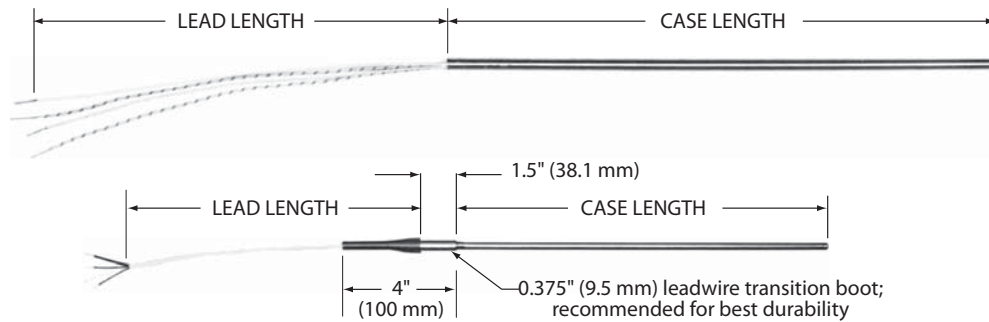


600°C RTDs



Overview

These RTDs cover the full temperature scale of the international standard EN60751. Precision sensing elements are capable of measurements from -200 to 600°C (-328 to 1112°F) with typical ice point drift less than $\pm 0.05^\circ\text{C}$.

- Platinum elements to EN60751, Class A or B
- English and metric diameters

Specifications

Element: Platinum, 100 Ω at 0°C, TCR = 0.00385 $\Omega/\Omega/^\circ\text{C}$.

Temperature range: -200 to 600°C (-328 to 1112°F). Reduced temperature rating for leads and last 2" (50 mm) of case — see leadwire chart.

Case: 316 stainless steel.

Minimum case length: 2.0" (50.8 mm).
Maximum case length: 48.0" (1220 mm), longer on special order.

Probe diameter	Model
0.188" (4.8 mm)	S914
0.236" (6.0 mm)	S912
0.250" (6.4 mm)	S913

Tolerance: EN60751 Class A or B.

Class A: $\pm 0.06\%$

Class B: $\pm 0.12\%$

Repeatability: Meet IEC requirements. Typical shift less than 0.05°C (0.02 Ω) at 0°C after ten cycles over range.

Stability: Meet IEC stability specifications after 250 hours exposure to extremes of temperature range. Typical drift is less than 0.05°C (0.02 Ω) at 0°C.

Vibration: Will withstand 10 to 5000 Hz at 2 G's minimum per EN60751.

Shock: Will withstand 250 mm drop onto 8 mm thick steel plate (approximately 1400 G's for 0.08 ms).

Time constant: 10 seconds typical in moving water.

Pressure rating: 1000 psi (69 bar) at 25°C.

Insulation resistance: 10 megohms minimum at 100 VDC, leads to case.

Leadwire options:

Code	Description	Max. temp.*
G	Mica/glass insulated stranded copper, AWG 22.	600°C 1112°F
T	PTFE insulated stranded copper, AWG 22.	260°C 500°F
C	AWG 24, PTFE insulated, stranded copper wires with silver-plated copper braid and PTFE over all (4 leads only).	260°C 500°F

* Temperature rating for leads and last 2" of case.

Specification and order options

S914	Model number from table
PD	100 Ω Platinum, 0.00385 TCR
06	Tolerance at 0°C: 06 = $\pm 0.06\%$, EN60751 Class A 12 = $\pm 0.12\%$, EN60751 Class B
G	Leadwire code from table
120	Case length: Specify in 0.1" increments (Ex: 120 = 12.0 inches)
X	Number of leads: Z = 3 leads X = 4 leads
24	Lead length in inches
BS	Probe termination: BS = Boot and spring B = Boot only N = No boot or spring
S914PD06G120X24BS = Sample part number	

Specifications subject to change