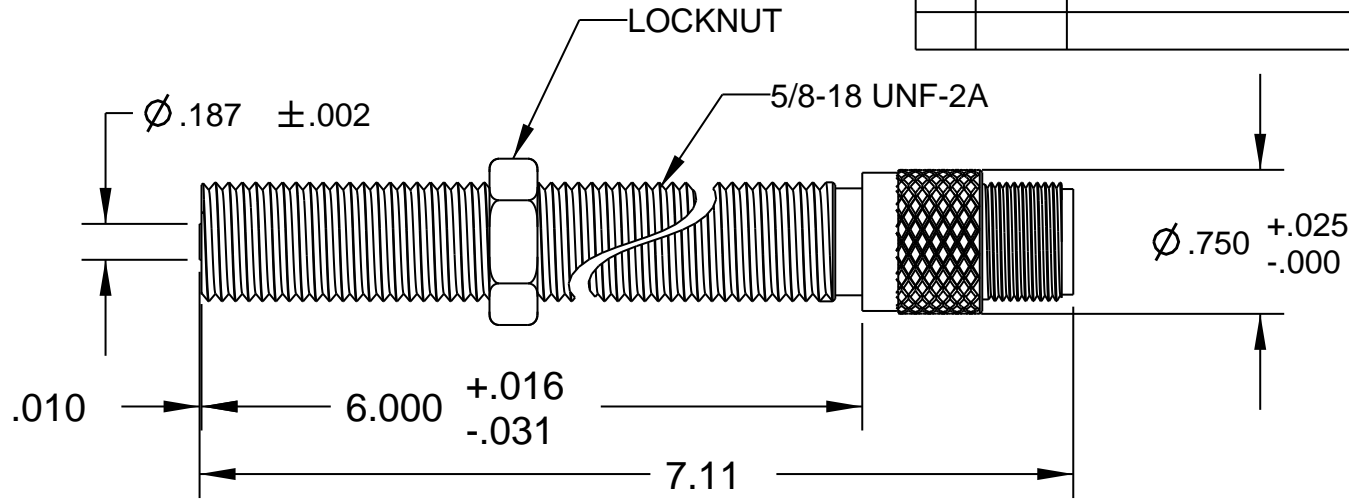


REV	ECN	DESCRIPTION	DATE	DR	CK
A					



TEMPERATURE RANGE	OUTPUT VOLTAGE PEAK TO PEAK	DC RESISTANCE OHMS	INDUCTANCE AT 1 KHz	OUTPUT CONNECTOR	INSULATION RESISTANCE	NET WEIGHT
-65 ° F to +225 ° F	15-17 VOLTS (SEE NOTE 1)	550-650 AT 75 ° F	260 mH $\pm 10\%$	MATES WITH MS3106A-10SL-4S (SEE NOTE 2)	100 MEGOHMS MIN. AT 500 VDC, COIL TO HOUSING	5.2 OZ. AVG.

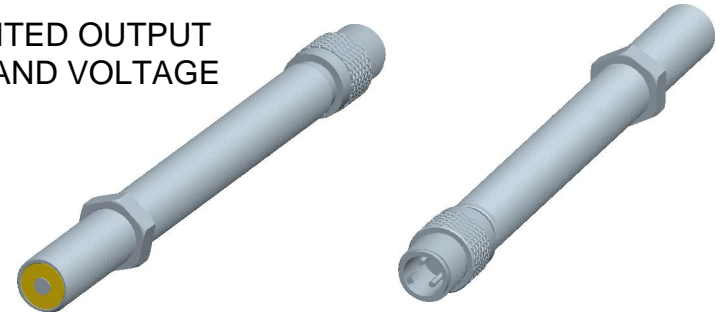
**NOTES:**

- 1- TESTED AT 1000 INCHES/SECOND WITH A 8 PITCH, 12 TOOTH GEAR, 0.005" CLEARANCE AND 100,000 OHMS LOAD SHUNTED BY 250 MMF.
- 2- WITH APPROACH OF FERROUS METAL, PIN "B" IS POSITIVE WITH RESPECT TO PIN "A".

**CONSTRUCTION:**

HOUSING ----- 303 STAINLESS STEEL  
 POLE PIECE - 416 STAINLESS STEEL  
 POTTING ----- EPOXY RESIN

ZENER LIMITED OUTPUT  
CURRENT AND VOLTAGE



THIRD ANGLE PROJECTION		Sheet 1 of 1	
<b>DYNALCO</b>			
MODEL	M204-6	DRAWN	PF
PATH	NPROD\PICKUPS\M204-6	APPROVED	MG
TITLE MAGNETIC PICKUP, MODEL M204-6			
DATE	01/26/10	REV	A
		800-0204-6	

TOLERANCES	ANGLES
FRACT. DEC.	$\pm 1/2^\circ$
$\pm 1/64$ .XXX $\pm .005$	.XX $\pm .01$
MATERIAL	
FINISH	

THIS DOCUMENT, ALL INFORMATION CONTAINED IN AND ALL INFORMATION RELATED TO THE PROPERTY OF DYNALCO CONTROLS, IS CONFIDENTIAL TO IT AND NO PART THEREOF NOR ANY SUBSTANTIAL INFORMATION MAY BE COPIED, DISSEMINATED OR USED IN ANY MANNER WHATSOEVER WITHOUT THE PRIOR WRITTEN CONSENT OF DYNALCO AND IS TO BE RETURNED TO DYNALCO UPON REQUEST.