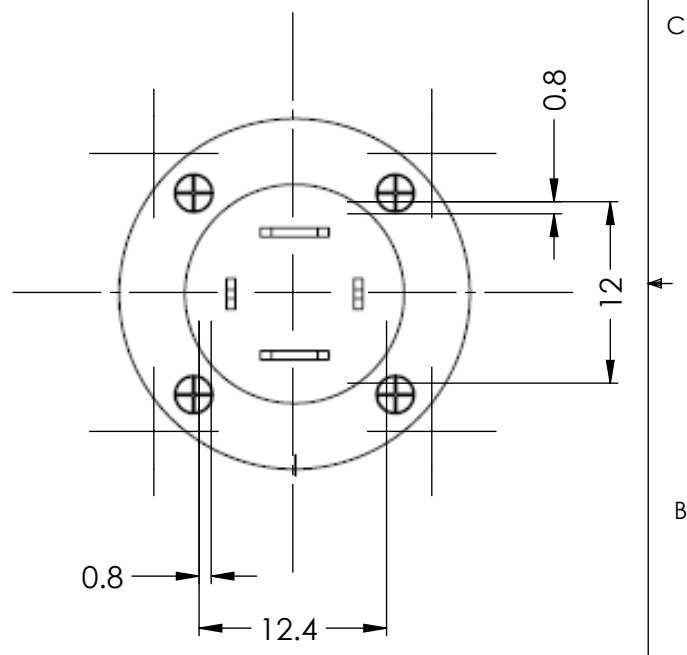
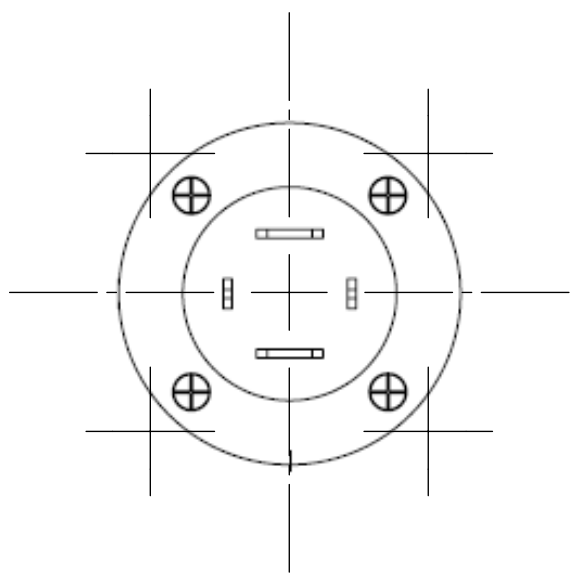
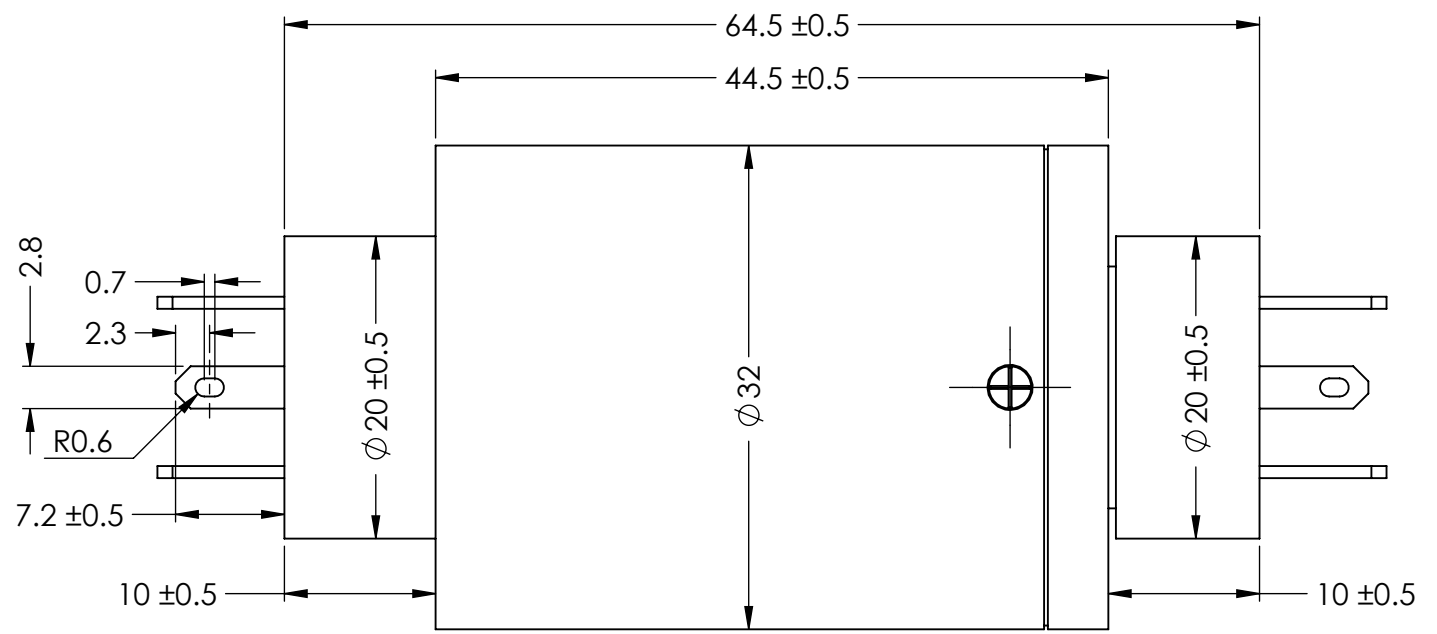


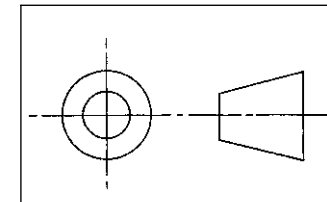
| REVISIONS | | | | |
|-----------|------|----------------------|-----------|----------|
| ZONE | REV. | DESCRIPTION | DATE | APPROVED |
| | A | Customer Information | 6/26/2015 | MRJ |



TECHNICAL DATA

| | |
|----------------------------|-------------------------------------|
| NUMBER OF CIRCUITS | 4 |
| RATED VOLTAGE | 0-240 VDC/VAC |
| DIELECTRIC STRENGTH | 1000VAC@50Hz |
| RATED CURRENT | 20A/2 Rings; 5A/2 Rings |
| NOMINAL SPEED | 0-250 RPM |
| INSULATION RESISTANCE | ≥500 MΩ/500VDC |
| DYNAMIC CONTACT RESISTANCE | <10 mΩ |
| CONTACT MATERIAL SURFACE | PRECIOUS METALS |
| TEMPERATURE | -40°C to + 80°C |
| BEARINGS | MINIATURE, PRECISION STEEL BEARINGS |
| HOUSING | Aluminum |
| PROTECTION | IP65 |

www.mod-tronic.com | sales@mod-tronic.com | 1-800-794-5883



UNLESS OTHERWISE SPECIFIED:
DRAWING SYMBOLS & TOLERANCES PER ANSI Y14.5
DIMENSIONS ARE METRIC
TOLERANCES:
DECIMALS LINEAR ANGULAR
.X ±0.2 ±0.5DEG
.XX ±0.02 ±0.2DEG
.XXX ±0.005 ±0.01DEG

INTERPRET GEOMETRIC TOLERANCING PER: ANSI Y14.5

MATERIAL
SEE CHART

FINISH
CLEAN

DRAWN MRJ 6/26/2015

TITLE: Slip Ring



| | | |
|------------------|---------------------------------|------------------|
| SIZE B | PRT. NO. MT4-5A-20A-T | REV CI |
|------------------|---------------------------------|------------------|

SCALE: 2:1 SHEET 1 OF 1