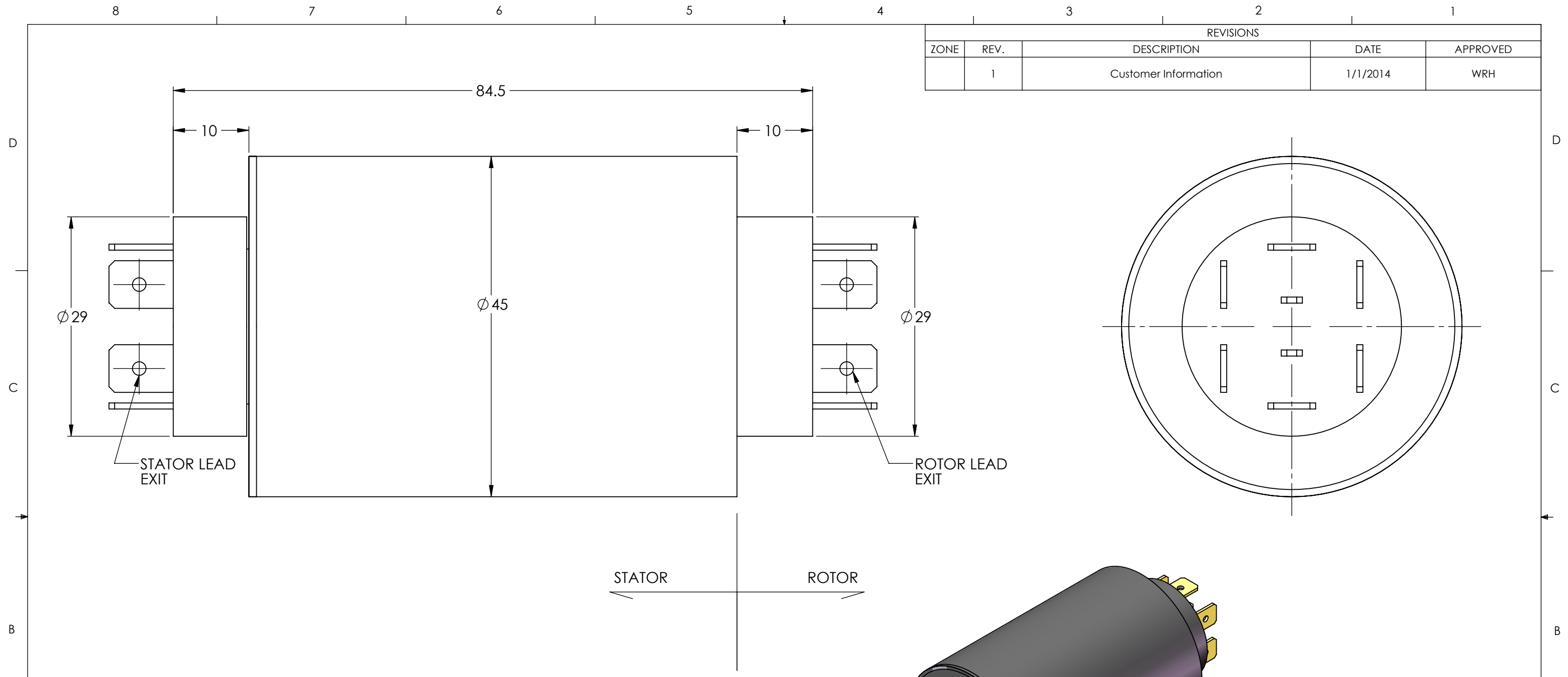


REVISIONS				
ZONE	REV.	DESCRIPTION	DATE	APPROVED
	1	Customer Information	1/1/2014	WRH



TECHNICAL DATA	
NUMBER OF CIRCUITS	8 (2 SIGNAL, 6 POWER)
RATED VOLTAGE	340 VDC/240 VAC
DIELECTRIC STRENGTH	500VAC@50Hz, 60s
RATED CURRENT	20A/RING (POWER), 5A/RING (SIGNAL)
NOMINAL SPEED	0-400 RPM
INSULATION RESISTANCE	1000 MΩ/500VDC
DYNAMIC CONTACT RESISTANCE	<10 mΩ
CONTACT MATERIAL SURFACE	PRECIOUS METALS
TEMPERATURE	-20°C to + 80°C
BEARINGS	MINIATURE, PRECISION STEEL BEARINGS
HOUSING	ABS PLASTIC
PROTECTION	IP51

UNLESS OTHERWISE SPECIFIED: DRAWING SYMBOLS & TOLERANCES PER ANSI Y14.5 DIMENSIONS ARE METRIC TOLERANCES: DECIMALS LINEAR ANGULAR .X ±0.2 ±0.5DEG .XX ±0.02 ±0.2DEG .XXX ±0.005 ±0.01DEG		TITLE: Slip Ring	
INTERPRET GEOMETRIC TOLERANCING PER: ANSI Y14.5			
MATERIAL SEE CHART	SIZE B		
FINISH CLEAN	DRAWN MRJ 1/7/2014	SCALE: 2:1	SHEET 1 OF 1