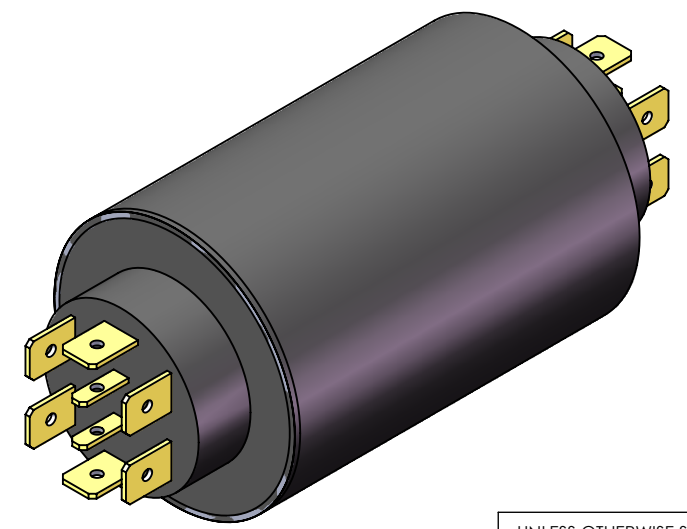
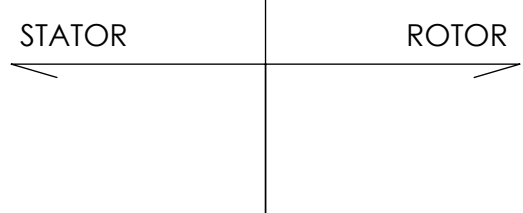
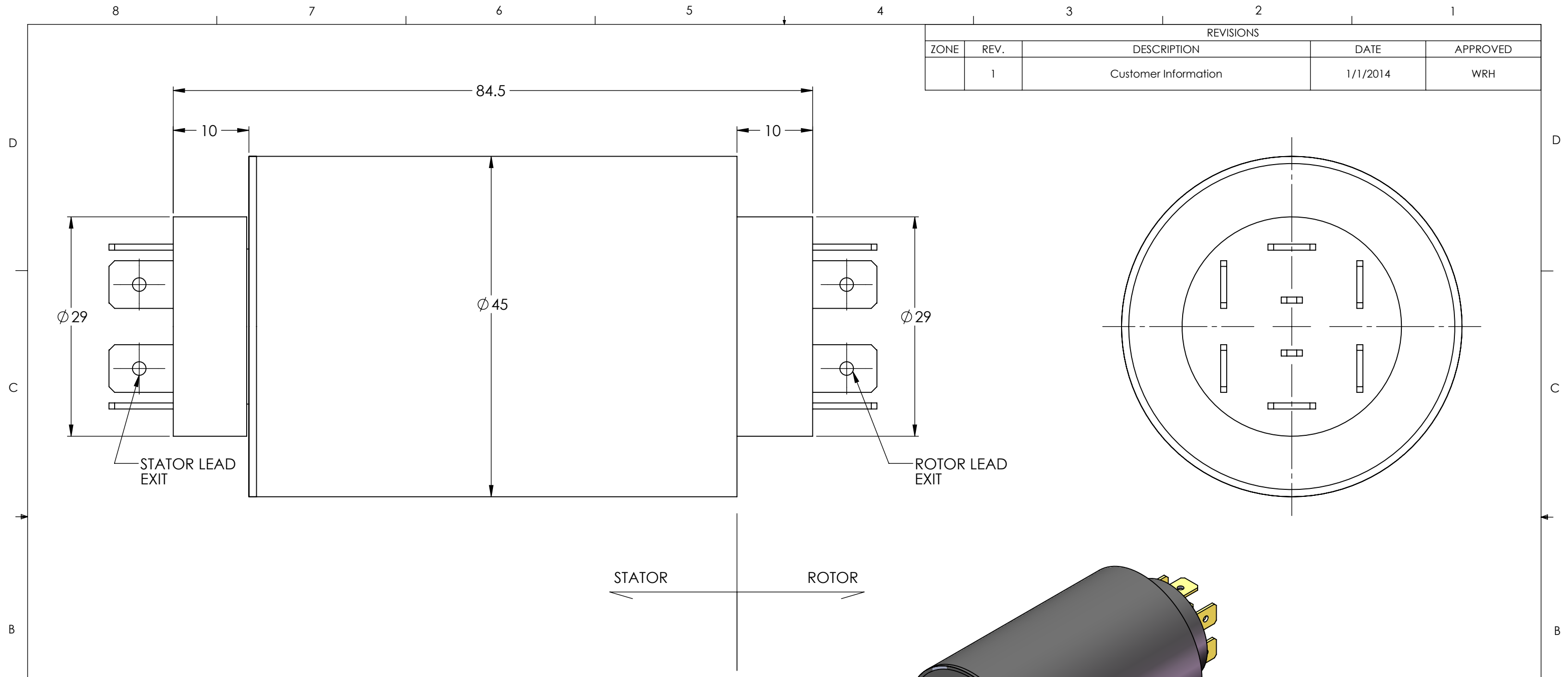


REVISIONS				
ZONE	REV.	DESCRIPTION	DATE	APPROVED
	1	Customer Information	1/1/2014	WRH



TECHNICAL DATA	
NUMBER OF CIRCUITS	8 (2 SIGNAL, 6 POWER)
RATED VOLTAGE	340 VDC/240 VAC
DIELECTRIC STRENGTH	500VAC@50Hz, 60s
RATED CURRENT	20A/RING (POWER), 5A/RING (SIGNAL)
NOMINAL SPEED	0-400 RPM
INSULATION RESISTANCE	1000 M $\Omega$ /500VDC
DYNAMIC CONTACT RESISTANCE	<10 m $\Omega$
CONTACT MATERIAL SURFACE	PRECIOUS METALS
TEMPERATURE	-40°C to + 80°C
BEARINGS	MINIATURE, PRECISION STEEL BEARINGS
HOUSING	ABS PLASTIC
PROTECTION	IP51

UNLESS OTHERWISE SPECIFIED: DRAWING SYMBOLS & TOLERANCES PER ANSI Y14.5 DIMENSIONS ARE METRIC TOLERANCES: DECIMALS    LINEAR    ANGULAR .X            ±0.2            ±0.5DEG .XX          ±0.02          ±0.2DEG .XXX        ±0.005        ±0.01DEG		TITLE: Slip Ring		
INTERPRET GEOMETRIC TOLERANCING PER: ANSI Y14.5				
MATERIAL	SEE CHART			SIZE
FINISH	CLEAN	<b>B</b>	<b>MT8-5A-20A-T</b>	REV
DRAWN	MRJ 1/7/2014	SCALE: 2:1		<b>1</b>
			SHEET 1 OF 1	