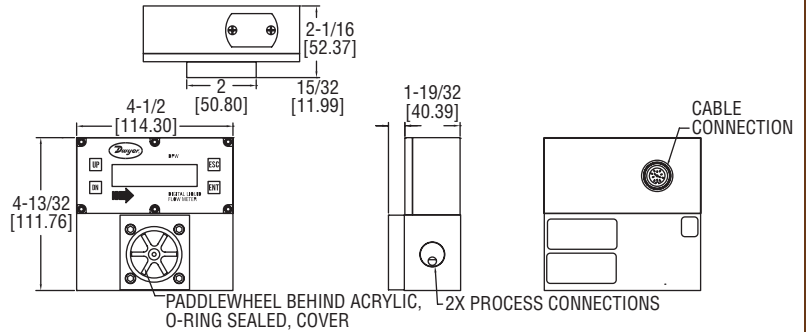




# DIGITAL PADDLEWHEEL

1% FS, Flow and Optional Temperature Readings, Programmable Output



The **SERIES DPW** Digital Paddlewheel is an economical choice for applications where remote or local liquid flow measurement is desired. This Series offers two programmable totalizers via the optional LCD and RS-232/RS-485 interface, two optically isolated flow pulse outputs, and selectable 0 to 5 VDC or 4 to 20 mA flow outputs (optional temperature).

### FEATURES/BENEFITS

- Jewel bearings allow for smooth rotation with minimal wear and low flow monitoring capability
- Rugged, chemical resistant PVDF lower block material ensures high reliability and longevity for use in harsh environments
- User-friendly interface allows for easy manipulation of the paddlewheel's many different programmable features including high/low flow (optional temperature alarms), totalizer and flow pulse outputs
- Supports up to 29 engineering units, including user defined ones, making it suitable for a variety of applications
- Flow meter parameters and functions can be programmed remotely via the RS-232/RS-485 interface or locally via optional LCD/keypad
- Optional temperature measurement with RTD option is ideal for energy monitoring

### APPLICATIONS

- Liquid monitoring
- Chemical proportioning or batching
- Laboratory equipment

### SPECIFICATIONS

**Service:** Liquids compatible with wetted materials.  
**Wetted Materials:** DPW-XP: Polypropylene; Seals (see options in model chart), PVDF and nickel tungsten carbide paddlewheel, acrylic lid; Bearings: PVDF sapphire; DPW-XT: PVDF; Seals (see options in model chart), PVDF and zirconia ceramic paddlewheel, PVDF lid; Bearings: PVDF sapphire.  
**Accuracy:** ±1% FS.  
**Repeatability:** ±0.25% FS.  
**Response Time:** 1 second above 10% of FS, 2 seconds below 10% of FS.  
**Output Signal:** Linear 0 to 5 VDC (3000 Ω min. load impedance); 4 to 20 mA (500 Ω max. loop resistance) for flow and temperature option; Pulse output: 3.3 VDC, 3K min. load impedance.  
**Electrical Connection:** 12 pin cable.  
**Digital Interface:** RS-232; RS-485.  
**Temperature Limits:** 14 to 140°F (-10 to 60°C).  
**Pressure Limit:** 10 bar (150 psig).  
**Power Requirements:** 11 to 26 VDC.  
**Display:** 2 row, 16 character LCD with backlight (optional).  
**Process Connections:** DPW-05: 3/8" FNPT; DPW-10: 1/2" FNPT; DPW-17: 3/4" FNPT; DPW-35: 1" FNPT.  
**Enclosure Rating:** IP65.  
**Weight:** 1.60 lb (0.73 kg).

MODEL CHART									
Example	DPW	-05	-P	-E	-L	-N	-A	-2	DPW-05-P-E-L-N-A-2
Series	DPW								Flow transmitter
Orifice Size (Max. Flow Range)	05								0.04 to 5 GPM (0.15 to 18.9 LPM)
	10								0.08 to 10 GPM (0.3 to 37.6 LPM)
	17								0.15 to 17 GPM (0.6 to 64.4 LPM)
	35								0.35 to 35 GPM (1.3 to 132.5 LPM)
Material Lower Block			P						Polypropylene
			T						PVDF
Seals				E					EPDM
				T					PTFE
				B					Buna-N
				V					Fluoroelastomer
Display/Keypad					N				No display/no keypad
					L				LCD/keypad
RTD Option						N			No RTD
						R			RTD
Output Signal							A		0 to 5 VDC
							B		4 to 20 mA
Digital Interface								2	RS-232
								5	RS-485

ACCESSORY	
Model	Description
A-CBL12	12 pin stripped end cable, 10 ft