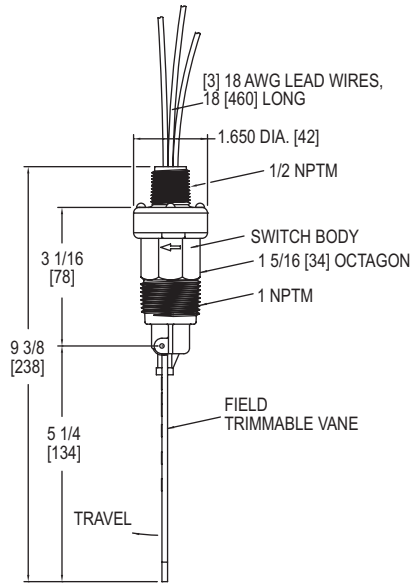


# FLOTECT® VANE OPERATED FLOW SWITCHES

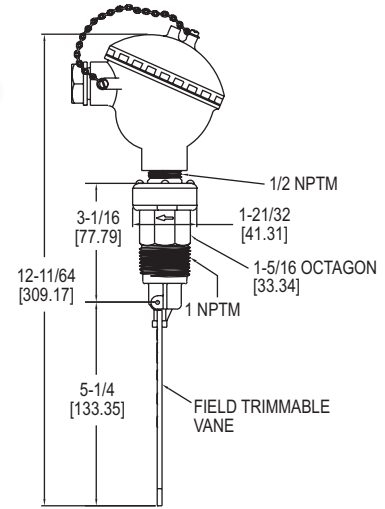
Field Adjustable — 1 to 6 Inch Pipe, Leak Proof Body, Chemical Resistance



V8



V8-WP2



The **Series V8 Flotect® Vane Operated Flow Switches** are ideal for protecting unattended equipment from damage or loss of production. This Series is available for installation in a 1 to 6" pipe with operating pressures up to 150 psig (10 bar) and temperatures to 212°F (100°C).

**FEATURES/BENEFITS**

- UL recognized as an industrial motor controller per UL standard 508, suitable for mounting in a protected environment
- Magnetically actuated switching design gives superior performance with free-swinging vane which attracts a magnet within the switch body, actuating a snap switch with no bellows, springs, or seals to fail
- Leak proof body and vane constructed of tough durable polyphenylene sulfide which has excellent chemical resistance
- A full size trimmable vane is provided with molded-in graduations

**APPLICATIONS**

- Chemical processing
- Air conditioning
- Refrigeration
- Heating systems
- Cooling lines
- Machinery
- Liquid transfer systems
- Water treatment
- Food processing
- Machine tools

APPROXIMATE ACTUATION/DEACTUATION FLOW RATES FOR COLD WATER; GPM (LPM)	
Pipe Size	Actuate/Deactuate
1"	10.8/9.1 (40.9/34.6)
1-1/4"	9.8/8.3 (37.2/31.4)
1-1/2"	8.6/6.8 (32.4/25.7)
2"	10.9/8.8 (41.2/33.4)
3"	12.9/8.9 (48.8/33.5)
4"	21.1/13.8 (79.7/52.2)
6"	45/33 (170.2/124.7)

APPROXIMATE ACTUATION/DEACTUATION FLOW RATES FOR AIR; SCFM (LPM)	
Pipe Size	Actuate/Deactuate
1"	39/32.6 (1105/923)
1-1/4"	37.5/32.2 (1062/912)
1-1/2"	33.4/26.7 (945/757)
2"	43/36.8 (1218/1042)
3"	52.7/38.9 (1493/1100)
4"	87.6/63.6 (2482/1802)
6"	168.6/137.4 (4775/3890)

**SPECIFICATIONS**

**Service:** Compatible gases or liquids.  
**Wetted Materials:** Vane and body: Polyphenylene Sulfide (PPS); Pin and spring: 316 SS or Inconel®; Magnet: Ceramic 8.  
**Temperature Limit:** 212°F (100°C).  
**Pressure Limit:** 150 psig (10.34 bar).  
**Enclosure Rating:** General purpose, WP/WP2 option is weatherproof.  
**Switch Type:** SPDT snap switch, MV option: SPDT gold contact snap switch.  
**Electrical Rating:** 5 A @ 125/250 VAC, 5 A resistive, 3 A inductive @ 30 VDC; MV option: 1 A @ 125 VAC, 1 A resistive, 0.5 A inductive @ 30 VDC.  
**Electrical Connections:** 18 AWG, 18" (460 mm) long.  
**Conduit Connection:** 1/2" male NPT, 1/2" female NPT on WP and WP2.  
**Process Connection:** 1" male NPT.  
**Mounting Orientation:** Actuation/deactuation flow rates are based on horizontal pipe runs and are nominal values. Unit cannot be used with vertical down flow.  
**Set Point Adjustment:** Vane is trimmable.  
**Weight:** 4.5 oz (0.13 kg).  
**Agency Approvals:** CE, cURus.

**MODEL CHART**

Model	Description
V8	Flow switch

**OPTIONS**

To order add suffix:	Description
-MV	Gold plated contacts, for dry circuits; rated 1A @ 125 VAC; 1A resistive, 0.5A inductive @ 30 VDC
<b>Example: V8-MV</b>	
-INC	Inconel® alloy option; Inconel® alloy replaces standard 316 SS wetted parts; wetted parts are Inconel® alloy, ceramic 8, and polyphenylene sulfide
<b>Example: V8-INC</b>	
-WP	Weatherproof enclosure; optional housing is phenylpolioxide and provides weatherproof protection for electrical wiring; not UL approved
<b>Example: V8-WP</b>	
-WP2	Optional housing is aluminum and provides weatherproof protection for electrical wiring; not UL approved
<b>Example: V8-WP2</b>	